

TO
ATG Of Westminster
6243 US Rt 5
Westminster VT 05158
802-722-4703

RETAIL ORDER FOR A MOTOR VEHICLE

01/02/2024
DATE

TOWN OF CASTLETON
556 MAIN STREET PURCHASER'S NAME
CASTLETON, VT. 05735 STREET ADDRESS
802-468-5219 STATE

CRAIG ALLEN
SALESMAN'S NAME

RES. PHONE EMAIL BUS. PHONE

PLEASE ENTER MY ORDER FOR THE FOLLOWING NEW USED DEMO CAR TRUCK RV

YEAR 2025 MAKE WESTERN STAR MODEL OR SERIES 47X BODY TK TYPE COLOR BLUE TRIM

MVI OR SERIAL NO. STATE BID ORDER VIN # STOCK VT STATE ORDER TO BE DELIVERED ON OR ABOUT 20

CASH DELIVERED PRICE OF UNIT	\$	
FEDERAL EXCISE TAX		N/A
1] NEW FREIGHTLINER CAB AND CHASSIS	\$160,884.00	
1] DD13HT ENGINE WARRANTY 7 YEARS	\$6,465.00	
1] TC4 BASIC TRUCK WARRANTY 7 YEARS	\$4,060.00	
1] ALLISON TRANSMISSION 7 YEARS WARRANTY	\$3,179.00	
1] VIKING INSTALLED PLOW PACKAGE	\$104,900.00	
CASH SALE PRICE OF DESCRIBED MOTOR VEHICLE	\$279,488.00	
STATE AND LOCAL TAXES		
LICENSE, LICENSE TRANSFER, TITLE REGISTRATION FEE		
1. TOTAL PRICE OF UNIT	\$279,488.00	
2. DOWN PAYMENT		
1/ Cash or Check	\$	
2/ Net Trade Equity	\$	
3. UNPAID CASH BALANCE DUE ON DELIVERY (difference between items 1 and 2)	\$279,488.00	

USED VEHICLE TRADE-IN AND/OR OTHER CREDITS

MAKE OF TRADE-IN	
YEAR	MODEL
BODY	
MVI OR SERIAL NO.	
USED TRADE-IN ALLOWANCE	\$
BALANCE OWED ON TRADE-IN	
NET ALLOWANCE ON USED TRADE-IN	\$
DEPOSIT OR CREDIT BALANCE	
DOWN PAYMENT (Trans. to Left Col.)	\$

REMARKS

THIS IS A STATE BID CONCESSION ORDER
 CONCESSION ORDER NUMBER IS 6L8370

THIS TRUCK HAS A FULL 7 YEARS WARRANTY

THE TRADE IN VALUE OF THIS TRUCK IF TRADED IN AFTER 7 YEARS IS WORTH A MINIMUM OF \$120,000.00 BASED OF OF TODAY'S MARKET

TRADE LIEN HOLDER INFORMATION

NAME	
ADDRESS	
ACCOUNT #	
BALANCE OWED	GOOD UNTIL
CONTACT PERSON	PER DIEM
PHONE #	FAX #

ALL WARRANTIES, IF ANY, BY A MANUFACTURER OR SUPPLIER OTHER THAN DEALER ARE THEIRS, NOT DEALERS, AND ONLY SUCH MANUFACTURER OR OTHER SUPPLIER SHALL BE LIABLE FOR PERFORMANCE UNDER SUCH WARRANTIES. UNLESS DEALER FURNISHES BUYER WITH A SEPARATE WRITTEN WARRANTY OR SERVICE CONTRACT MADE BY DEALER ON ITS OWN BEHALF, DEALER HEREBY DISCLAIMS ALL WARRANTIES, EXPRESS OR IMPLIED, INCLUDING ANY IMPLIED WARRANTIES OF MERCHANTABILITY OR FITNESS FOR A PARTICULAR PURPOSE: (A) ON ALL GOODS AND SERVICES SOLD BY DEALER, AND (B) ON ALL USED VEHICLES WHICH ARE HEREBY SOLD "AS IS — NOT EXPRESSLY WARRANTED OR GUARANTEED".

The front and back of this Order comprise the entire agreement affecting this purchase and no other agreement or understanding of any nature concerning same has been made or entered into, or will be recognized. I hereby certify that no credit has been extended to me for the purchase of this motor vehicle except as appears in writing on the face of this agreement. I have read the matter printed on the back hereof and agree to it as a part of this order the same as if it were printed above my signature. I certify that I am of legal age, and hereby acknowledge receipt of a copy of this order.

Buyer _____ Date _____
 Co-Buyer _____ Date _____

CRAIG ALLEN
 Salesman _____
 Management Approval _____

Prepared for:
JEFF DAVIDSON
TOWN OF CASTLETON
556 MAIN ST
CASTLETON, VT 05735
Phone: 802-345-0598

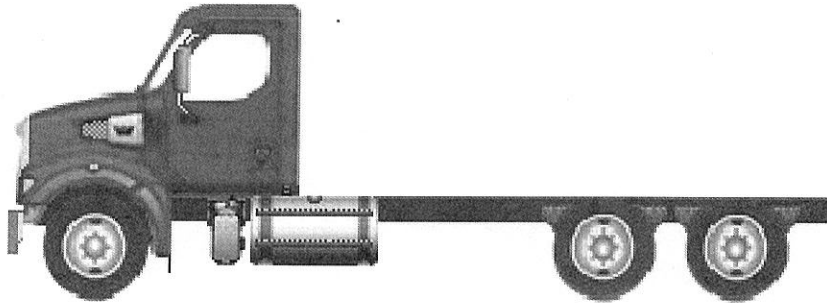
Prepared by:
Craig Allen
ATG PATRIOT LLC
6243 ROUTE 5
WESTMINSTER, VT 05158
Phone: 802-722-4703

A proposal for
TOWN OF CASTLETON

Prepared by
ATG PATRIOT LLC
Craig Allen

Jan 02, 2024

Western Star 47X



Components shown may not reflect all spec'd options and are not to scale

Prepared for:
 JEFF DAVIDSON
 TOWN OF CASTLETON
 556 MAIN ST
 CASTLETON, VT 05735
 Phone: 802-345-0598

Prepared by:
 Craig Allen
 ATG PATRIOT LLC
 6243 ROUTE 5
 WESTMINSTER, VT 05158
 Phone: 802-722-4703

S P E C I F I C A T I O N P R O P O S A L

Data Code	Description	Weight Front	Weight Rear
Price Level			
PRL-28X	WST 47X/49X PRL-28X (EFF:MY25 ORDERS)		
Data Version			
DRL-023	SPECPRO21 DATA RELEASE VER 023		
Vehicle Configuration			
001-470	WESTERN STAR 47X	9,050	6,525
004-225	2025 MODEL YEAR SPECIFIED		
002-003	SET FORWARD AXLE - TRUCK	-480	480
019-006	TRAILER TOWING PROVISION AT END OF FRAME WITH SAE J560	10	10
003-001	LH PRIMARY STEERING LOCATION		
General Service			
AA1-003	TRUCK/TRAILER CONFIGURATION		
AA6-002	DOMICILED, USA (EXCLUDING CALIFORNIA AND CARB OPT-IN STATES)		
99D-027	EPA EMISSIONS CERTIFICATION FOR REGISTRATION OUTSIDE CARB STATES - EPA CLEAN IDLE (INCLUDES 6X4 INCH LABEL ON LOWER FORWARD OF DRIVER DOOR)		
AF2-998	NO STATE/PROVINCE INITIAL REGISTRATION SELECTED		
A85-011	CONSTRUCTION SERVICE		
A84-1GM	GOVERNMENT BUSINESS SEGMENT		
AA4-010	DIRT/SAND/ROCK COMMODITY		
AA5-006	TERRAIN/DUTY: 10% (SOME) OF THE TIME, IN TRANSIT, IS SPENT ON NON-PAVED ROADS		
AB1-008	MAXIMUM 8% EXPECTED GRADE		
AB5-003	MAINTAINED GRAVEL OR CRUSHED ROCK - MOST SEVERE IN-TRANSIT (BETWEEN SITES) ROAD SURFACE		

Prepared for:
 JEFF DAVIDSON
 TOWN OF CASTLETON
 556 MAIN ST
 CASTLETON, VT 05735
 Phone: 802-345-0598

Prepared by:
 Craig Allen
 ATG PATRIOT LLC
 6243 ROUTE 5
 WESTMINSTER, VT 05158
 Phone: 802-722-4703

Data Code	Description	Weight Front	Weight Rear
995-1A5	WESTERN STAR VOCATIONAL WARRANTY		
A66-99D	EXPECTED FRONT AXLE(S) LOAD : 20000.0 lbs		
A68-99D	EXPECTED REAR DRIVE AXLE(S) LOAD : 46000.0 lbs		
A63-99D	EXPECTED GROSS VEHICLE WEIGHT CAPACITY : 66000.0 lbs		
A70-99D	EXPECTED GROSS COMBINATION WEIGHT : 80000.0 lbs		

Truck Service

AA3-018	FRONT PLOW/END DUMP BODY
A88-99D	EXPECTED TRUCK BODY LENGTH : 0.0 ft
AF3-2D7	VIKING CIVES, LTD.

Engine

101-3C2	DETROIT DD13 GEN 5 12.8L 525 HP @ 1625 RPM, 1900 GOV RPM, 1850 LB/FT @ 975 RPM
---------	--

Electronic Parameters

79A-075	75 MPH ROAD SPEED LIMIT
79B-000	CRUISE CONTROL SPEED LIMIT SAME AS ROAD SPEED LIMIT
79F-005	FLEET MANAGEMENT - DAILY ENGINE USAGE DISABLED
79K-021	PTO MODE ENGINE RPM LIMIT - 1350 RPM
79L-022	PTO MODE PTO 1 THROTTLE OVERRIDE ENABLED
79R-001	PTO MODE COOLING FAN ENABLE
79U-007	PTO GOVERNOR RAMP RATE - 250 RPM PER SECOND
79W-008	ONE DASH MOUNTED PTO SPEED WITH PTO SWITCH ENGAGEMENT
79X-005	PTO SPEED 1 SETTING - 900 RPM
80G-001	PTO MINIMUM RPM - 600
80L-001	ENABLE AUTO ENGINE RPM ELEVATE FOR EXTENDED IDLE
80S-001	PTO 1, DASH SWITCH, STATIONARY OPERATION
80V-001	ENGINE MOUNT PTO, DASH SWITCH ENGAGES PTO MODE, STATIONARY OPERATION

Engine Equipment

99C-024	EPA 2010/GHG 2024 CONFIGURATION
13E-001	STANDARD OIL PAN
105-001	ENGINE MOUNTED OIL CHECK AND FILL

Prepared for:
 JEFF DAVIDSON
 TOWN OF CASTLETON
 556 MAIN ST
 CASTLETON, VT 05735
 Phone: 802-345-0598

Prepared by:
 Craig Allen
 ATG PATRIOT LLC
 6243 ROUTE 5
 WESTMINSTER, VT 05158
 Phone: 802-722-4703

Data Code	Description	Weight Front	Weight Rear
014-116	SIDE OF HOOD AIR INTAKE WITH ENGINE MOUNTED AIR CLEANER		
124-1D7	DR 12V 160 AMP 28-SI QUADRAMOUNT PAD ALTERNATOR WITH REMOTE BATTERY VOLT SENSE	-10	
292-222	(3) DTNA GENUINE, HIGH TEMP AGM STARTING AND CYCLING, MIN 2775CCA, 570RC THREADED STUD BATTERIES		
290-1AC	PASSENGER SEAT BATTERY BOX VENTED TO OUTSIDE OF CAB		
282-013	BATTERY BOX MOUNTED UNDER PASSENGER SEAT		
291-017	WIRE GROUND RETURN FOR BATTERY CABLES WITH ADDITIONAL FRAME GROUND RETURN		
289-006	PLASTIC BATTERY BOX COVER		
295-029	POSITIVE AND NEGATIVE POSTS FOR JUMPSTART LOCATED ON FRAME NEXT TO STARTER	2	
107-046	BW MODEL FE-921 19.0 CFM SINGLE CYLINDER AIR COMPRESSOR WITH SAFETY VALVE		
152-041	ELECTRONIC ENGINE INTEGRAL SHUTDOWN PROTECTION SYSTEM		
128-002	JACOBS COMPRESSION BRAKE		
016-1C3	RH OUTBOARD UNDER STEP MOUNTED HORIZONTAL AFTERTREATMENT SYSTEM ASSEMBLY WITH RH HORIZONTAL TAILPIPE	-30	-20
28F-015	ENGINE AFTERTREATMENT DEVICE, AUTOMATIC OVER THE ROAD ACTIVE REGENERATION AND VIRTUAL REGENERATION REQUEST SWITCH IN CLUSTER AND DASH MOUNTED INHIBIT SWITCH		
239-001	STANDARD EXHAUST SYSTEM LENGTH		
237-052	RH STANDARD HORIZONTAL TAILPIPE		
23U-002	13 GALLON DIESEL EXHAUST FLUID TANK	9	3
23Z-007	POLISHED ALUMINUM DIAMOND PLATE WST DIESEL EXHAUST FLUID TANK COVER		
43X-001	LH HEAVY DUTY STANDARD DIESEL EXHAUST FLUID TANK LOCATION		
43Y-001	STANDARD DIESEL EXHAUST FLUID TANK CAP		
273-059	ELECTRONICALLY CONTROLLED VARIABLE SPEED VISCOUS FAN DRIVE		
276-002	AUTOMATIC FAN CONTROL WITH DASH SWITCH AND INDICATOR LIGHT, NON ENGINE MOUNTED		
110-068	DDC SUPPLIED ENGINE MOUNTED FUEL FILTER/FUEL WATER SEPARATOR WITH WATER-IN-FUEL INDICATOR		

Prepared for:
 JEFF DAVIDSON
 TOWN OF CASTLETON
 556 MAIN ST
 CASTLETON, VT 05735
 Phone: 802-345-0598

Prepared by:
 Craig Allen
 ATG PATRIOT LLC
 6243 ROUTE 5
 WESTMINSTER, VT 05158
 Phone: 802-722-4703

	Data Code	Description	Weight Front	Weight Rear
	118-001	FULL FLOW OIL FILTER		
N	266-109	1400 SQUARE INCH VOCATIONAL RADIATOR WITH PROTECTION PACKAGE	20	
	103-039	ANTIFREEZE TO -34F, OAT (NITRITE AND SILICATE FREE) EXTENDED LIFE COOLANT		
	171-007	GATES BLUE STRIPE COOLANT HOSES OR EQUIVALENT		
	270-023	HDEP FIXED RATIO COOLANT PUMP AND RADIATOR DRAIN VALVE		
	168-002	LOWER RADIATOR GUARD		
	360-013	1350 ADAPTER FLANGE FOR FRONT PTO PROVISION	20	
	138-005	PHILLIPS-TEMRO 1500 WATT/115 VOLT BLOCK HEATER	4	
	166-005	PHILLIPS-TEMRO 300 WATT/115 VOLT OIL PREHEATER	4	
	140-022	CHROME ENGINE HEATER RECEPTACLE MOUNTED UNDER LH DOOR		
	155-075	MITSUBISHI 12V MOD 3.175-DP60 STARTER WITH INTEGRATED MAGNETIC SWITCH		
Transmission				
	342-1NC	ALLISON 4700 RDS AUTOMATIC TRANSMISSION WITH PTO PROVISION	170	90
Transmission Equipment				
	343-339	ALLISON VOCATIONAL PACKAGE 223 - AVAILABLE ON 3000/4000 PRODUCT FAMILIES WITH VOCATIONAL MODELS RDS, HS, MH AND TRV		
	84B-012	ALLISON VOCATIONAL RATING FOR ON/OFF HIGHWAY APPLICATIONS AVAILABLE WITH ALL PRODUCT FAMILIES		
	84C-039	PRIMARY MODE GEARS, LOWEST GEAR 1, START GEAR 2, HIGHEST GEAR 7, AVAILABLE FOR 4700/4800 PRODUCT FAMILIES ONLY		
	84D-036	SECONDARY MODE GEARS, LOWEST GEAR 1, START GEAR 2, HIGHEST GEAR 4, AVAILABLE FOR 4700 PRODUCT FAMILIES ONLY		
	84E-013	S1 PERFORMANCE PRIMARY SHIFT SCHEDULE, AVAILABLE FOR 3000/4000 PRODUCT FAMILIES ONLY		
	84F-013	S2 PERFORMANCE 2 SECONDARY SHIFT SCHEDULE, AVAILABLE FOR 3000/4000 PRODUCT FAMILIES ONLY		
	84G-009	1800 RPM PRIMARY MODE SHIFT SPEED		
	84H-009	1800 RPM SECONDARY MODE SHIFT SPEED		

Prepared for:
 JEFF DAVIDSON
 TOWN OF CASTLETON
 556 MAIN ST
 CASTLETON, VT 05735
 Phone: 802-345-0598

Prepared by:
 Craig Allen
 ATG PATRIOT LLC
 6243 ROUTE 5
 WESTMINSTER, VT 05158
 Phone: 802-722-4703

Data Code	Description	Weight Front	Weight Rear
84N-200	FUEL SENSE 2.0 DISABLED - PERFORMANCE - TABLE BASED		
362-823	CUSTOMER INSTALLED CHELSEA 280 SERIES PTO		
363-001	PTO MOUNTING, LH SIDE OF MAIN TRANSMISSION ALLISON		
341-018	MAGNETIC PLUGS, ENGINE DRAIN, TRANSMISSION DRAIN, AXLE(S) FILL AND DRAIN		
345-078	HEAVY DUTY ELECTRONIC TRANSMISSION SHIFT CONTROL, COLUMN MOUNTED		
370-006	WATER TO OIL TRANSMISSION COOLER		
346-003	TRANSMISSION OIL CHECK AND FILL WITH ELECTRONIC OIL LEVEL CHECK		
35T-001	SYNTHETIC TRANSMISSION FLUID (TES-295 COMPLIANT)		

Front Axle and Equipment

400-1BB	DETROIT DA-F-20.0-5 20,000# FL1 71.0 KPI/3.74 DROP SINGLE FRONT AXLE	190	
418-060	CONMET PRESET PLUS PREMIUM IRON FRONT HUBS	20	
402-030	MERITOR 16.5X6 Q+ CAST SPIDER CAM FRONT BRAKES, DOUBLE ANCHOR, FABRICATED SHOES	10	
403-002	NON-ASBESTOS FRONT BRAKE LINING		
419-023	CONMET CAST IRON FRONT BRAKE DRUMS		
427-001	FRONT BRAKE DUST SHIELDS	5	
409-006	FRONT OIL SEALS		
408-001	VENTED FRONT HUB CAPS WITH WINDOW, CENTER AND SIDE PLUGS - OIL		
405-002	MERITOR AUTOMATIC FRONT SLACK ADJUSTERS		
536-104	DUAL POWER STEERING GEARS, BENDIX 16-20K	80	
534-003	4 QUART POWER STEERING RESERVOIR	5	
533-001	OIL/AIR POWER STEERING COOLER	5	
40T-003	SYNTHETIC 40/50W FRONT AXLE LUBE		

Front Suspension

620-043	9,500# LEFT, 10,500# RIGHT MIXER/PLOW FLAT LEAF FRONT SUSPENSION (20,000#)	250	
619-002	THREADED SPRING PINS AND BUSHINGS - FRONT SUSPENSION		
410-001	FRONT SHOCK ABSORBERS		

Prepared for:
 JEFF DAVIDSON
 TOWN OF CASTLETON
 556 MAIN ST
 CASTLETON, VT 05735
 Phone: 802-345-0598

Prepared by:
 Craig Allen
 ATG PATRIOT LLC
 6243 ROUTE 5
 WESTMINSTER, VT 05158
 Phone: 802-722-4703

Data Code	Description	Weight Front	Weight Rear
Rear Axle and Equipment			
420-103	RT-46-160 46,000# R-SERIES TANDEM REAR AXLE		470
450-060	CONMET PRESET PLUS PREMIUM IRON REAR HUBS		60
421-456	4.56 REAR AXLE RATIO		
424-001	IRON REAR AXLE CARRIER WITH STANDARD AXLE HOUSING		
386-075	MXL 18T MERITOR EXTENDED LUBE MAIN DRIVELINE WITH HALF ROUND YOKES		
388-073	MXL 17T MERITOR EXTENDED LUBE INTERAXLE DRIVELINE WITH HALF ROUND YOKES		
452-006	DRIVER CONTROLLED TRACTION DIFFERENTIAL - BOTH TANDEM REAR AXLES		30
878-022	(1) INTERAXLE LOCK VALVE, (1) DRIVER CONTROLLED DIFFERENTIAL LOCK FORWARD-REAR AXLE VALVE AND (1) REAR-REAR AXLE VALVE		
87A-005	INDICATOR LIGHT FOR EACH INTERAXLE LOCKOUT SWITCH		
87B-008	INDICATOR LIGHT FOR EACH DIFFERENTIAL LOCKOUT SWITCH		
423-019	MERITOR 16.5X8.62 Q+ CAST SPIDER CAM REAR BRAKES, DOUBLE ANCHOR, FABRICATED SHOES		
433-002	NON-ASBESTOS REAR BRAKE LINING		
434-011	BRAKE CAMS AND CHAMBERS ON FORWARD SIDE OF DRIVE AXLE(S)		
451-023	CONMET CAST IRON REAR BRAKE DRUMS		
425-002	REAR BRAKE DUST SHIELDS		10
440-006	REAR OIL SEALS		
426-101	WABCO TRISTOP D LONGSTROKE 2-DRIVE AXLE SPRING PARKING CHAMBERS		
428-003	HALDEX AUTOMATIC REAR SLACK ADJUSTERS		
41T-002	CURRENT AVAILABLE SYNTHETIC 75W-90 REAR AXLE LUBE		
42T-001	STANDARD REAR AXLE BREATHER(S)		
Rear Suspension			
622-298	TUFTRAC GEN2 46,000# REAR SPRING SUSPENSION		560
621-108	9.5 INCH NOMINAL RIDE HEIGHT (460MM GLOBAL REFERENCE HEIGHT)		
431-003	AXLE CLAMPING GROUP		
624-025	55 INCH AXLE SPACING		

Prepared for:
 JEFF DAVIDSON
 TOWN OF CASTLETON
 556 MAIN ST
 CASTLETON, VT 05735
 Phone: 802-345-0598

Prepared by:
 Craig Allen
 ATG PATRIOT LLC
 6243 ROUTE 5
 WESTMINSTER, VT 05158
 Phone: 802-722-4703

Data Code	Description	Weight Front	Weight Rear
623-006	FORE/AFT AND TRANSVERSE CONTROL RODS		
439-002	REAR SHOCK ABSORBERS - TWO AXLES (TANDEM)		40
Pusher / Tag Equipment			
429-998	NO PUSHER/TAG BRAKE DUST SHIELDS		
Brake System			
490-1AV	WABCO 6S/6M ABS WITH TRACTION CONTROL WITH ATC SHUT OFF SWITCH		
871-001	REINFORCED NYLON, FABRIC BRAID AND WIRE BRAID CHASSIS AIR LINES		
432-003	RELAY VALVE WITH 5-8 PSI CRACK PRESSURE, NO REAR PROPORTIONING VALVE		
480-088	WABCO SYSTEM SAVER HP WITH INTEGRAL AIR GOVERNOR AND HEATER		
483-004	WABCO OIL COALESCING FILTER FOR AIR DRYER		
479-015	AIR DRYER FRAME MOUNTED		
460-007	ALUMINUM AIR BRAKE RESERVOIRS	-15	-15
477-016	BW DV-2 AUTO DRAIN VALVE WITHOUT HEATER TO WET TANK; DRAIN VALVE CABLES ON ALL OTHER TANKS		
Trailer Connections			
914-001	AIR CONNECTIONS TO END OF FRAME WITH GLAD HANDS FOR TRUCK AND NO DUST COVERS	5	5
296-010	PRIMARY CONNECTOR/RECEPTACLE WIRED FOR SEPARATE STOP/TURN, ABS CENTER PIN POWERED THROUGH IGNITION		
303-025	SAE J560 7-WAY PRIMARY TRAILER CABLE RECEPTACLE MOUNTED END OF FRAME		
Wheelbase & Frame			
545-117	5240MM (206 INCH) WHEELBASE, SFA ONLY		
546-106	13.0MM X 87.0MM X 311.0MM STEEL FRAME (0.51X3.43X12.24 INCH) 120 KSI	280	360
552-032	1650MM (65 INCH) REAR FRAME OVERHANG		
55W-006	FRAME OVERHANG RANGE: 61 INCH TO 70 INCH	-30	90
549-036	12 INCH INTEGRAL FRONT FRAME EXTENSION	60	
AC8-99D	CALC'D BACK OF CAB TO REAR SUSP C/L (CA) : 124.8 in		
AE8-99D	CALCULATED EFFECTIVE BACK OF CAB TO REAR SUSPENSION C/L (CA) : 121.8 in		
AE4-99D	CALC'D FRAME LENGTH - OVERALL : 311.9 in		

Prepared for:
 JEFF DAVIDSON
 TOWN OF CASTLETON
 556 MAIN ST
 CASTLETON, VT 05735
 Phone: 802-345-0598

Prepared by:
 Craig Allen
 ATG PATRIOT LLC
 6243 ROUTE 5
 WESTMINSTER, VT 05158
 Phone: 802-722-4703

Data Code	Description	Weight Front	Weight Rear
ZF1-99D	FRAME HEIGHT TOP FRONT UNLADEN : 44.33 in		
ZF2-99D	FRAME HEIGHT TOP FRONT LADEN : 41.1 in		
ZF3-99D	FRAME HEIGHT TOP REAR UNLADEN : 43.24 in		
ZF4-99D	FRAME HEIGHT TOP REAR LADEN : 40.78 in		
FSS-0LH	CALCULATED FRAME SPACE LH SIDE : 66.8 in		
FSS-0RH	CALCULATED FRAME SPACE RH SIDE : 70.4 in		
553-001	SQUARE END OF FRAME		
559-001	STANDARD WEIGHT ENGINE CROSSMEMBER		
561-015	STANDARD CAST ALUMINUM CROSSMEMBER BACK OF TRANSMISSION		
562-063	STANDARD CAST ALUMINUM MIDSHIP		
572-078	HEAVY DUTY REAR C-CHANNEL CROSSMEMBER, NON-TOWING		70
565-001	STANDARD SUSPENSION CROSSMEMBER		20
568-012	CAST ALUMINUM REAR SUSPENSION CROSSMEMBER		

Chassis Equipment

025-003	POLISHED ALUMINUM DIAMOND PLATE WST EQUIPMENT COVERS		
556-142	PAINTED STEEL 3/16 INCH (7GA) VOCATIONAL BUMPER	40	
558-998	NO FRONT TOW HOOKS	-15	
574-001	BUMPER MOUNTING FOR SINGLE LICENSE PLATE		
551-002	HUCK-SPIN ROUND COLLAR CHASSIS FASTENERS		
44Z-002	EXTERIOR HARNESSSES WRAPPED IN ABRASION TAPE		

Fuel Tanks

204-154	80 GALLON/302 LITER ALUMINUM FUEL TANK - LH	10	
218-006	25 INCH DIAMETER FUEL TANK(S)		
215-006	POLISHING OF FUEL/HYDRAULIC TANK(S) WITH POLISHED STAINLESS STEEL BANDS		
212-007	FUEL TANK(S) FORWARD		
664-002	POLISHED STEP FINISH		
205-002	CHROME FUEL TANK CAP(S)		
216-020	EQUIFLO INBOARD FUEL SYSTEM		
202-016	HIGH TEMPERATURE REINFORCED NYLON FUEL LINE		

Tires

Prepared for:
 JEFF DAVIDSON
 TOWN OF CASTLETON
 556 MAIN ST
 CASTLETON, VT 05735
 Phone: 802-345-0598

Prepared by:
 Craig Allen
 ATG PATRIOT LLC
 6243 ROUTE 5
 WESTMINSTER, VT 05158
 Phone: 802-722-4703

Data Code	Description	Weight Front	Weight Rear
093-1YU	CONTINENTAL HAU 3 WT 315/80R22.5 20 PLY RADIAL FRONT TIRES	100	
094-2A7	MICHELIN XDS2 11R22.5 16 PLY RADIAL REAR TIRES		192
Wheels			
502-355	ACCURIDE 41012 22.5X9.00 10-HUB PILOT 3.12 INSET 10-HAND ALUMINUM DISC FRONT WHEELS	-38	
505-593	ACCURIDE 40008 22.5X8.25 10-HUB PILOT 10-HAND HD ALUMINUM DISC REAR WHEELS		-128
524-002	POLISHED FRONT WHEELS; INSIDE AND OUTSIDE		
525-007	POLISHED REAR WHEELS; BOTH SIDES OF OUTER WHEELS ONLY		
496-011	FRONT WHEEL MOUNTING NUTS		
497-011	REAR WHEEL MOUNTING NUTS		
Cab Exterior			
829-053	111.6 INCH BBC CONVENTIONAL ALUMINUM CAB		
82A-028	STAINLESS STEEL CAB ACCENT MCLDING		
667-001	FRONT FENDERS		
754-017	BOLT-ON MOLDED FLEXIBLE FENDER EXTENSIONS	10	
678-072	INTERIOR GRAB HANDLES WITH ADDED LOWER LH AND RH A PILLAR GRAB HANDLES AND LH EXTERIOR NON-SLIP GRAB HANDLES		
65X-010	BRIGHT HOOD MOUNTED AIR INTAKE GRILLE, BLACK SCREEN, WITH LED ACCENT LIGHTS		
640-016	X-SERIES STEEL REINFORCED ALUMINUM CAB		
644-049	X-SERIES VOCATIONAL HOOD WITH ACCESS HATCH	10	
67U-001	HOOD OPENING ASSIST WITH LOCKING STRUT		
652-016	WESTERN STAR NAMEPLATES		
727-012	DUAL HADLEY SD-978 26 INCH RECTANGULAR AIR HORNS		
726-001	SINGLE ELECTRIC HORN		
575-001	REAR LICENSE PLATE MOUNT END OF FRAME		
327-012	SWITCH, INDICATOR LIGHT AND WIRING FOR (2) CUSTOMER FURNISHED BEACONS	2	
312-095	DUAL STAGE INTELLIGENT LED HEADLIGHTS WITH HEATED LENS SYSTEM		
302-073	VISOR MOUNTED LED MARKER LIGHTS		

Prepared for:
 JEFF DAVIDSON
 TOWN OF CASTLETON
 556 MAIN ST
 CASTLETON, VT 05735
 Phone: 802-345-0598

Prepared by:
 Craig Allen
 ATG PATRIOT LLC
 6243 ROUTE 5
 WESTMINSTER, VT 05158
 Phone: 802-722-4703

Data Code	Description	Weight Front	Weight Rear
314-824	WIRING AND SWITCH FOR CUSTOMER FURNISHED SNOW PLOW LAMPS WITH DUAL CONNECTIONS AT BUMPER		
311-019	HEADLIGHTS ON WITH WIPERS, WITH DAYTIME RUNNING LIGHTS		
294-1AY	INTEGRAL LED STOP/TAIL/BACKUP LIGHTS		
300-043	LED SIDE TURN SIGNAL		
744-106	C-BAR MIRROR SYSTEM WITH DUAL HEATED MIRRORS WITH INTEGRAL HEATED CONVEX, DUAL REMOTE, STAINLESS STEEL BACK COVER, AND BLACK C-BAR		
796-001	102 INCH EQUIPMENT WIDTH		
743-209	LH AND RH CONVEX MIRRORS INTEGRAL WITH PRIMARY MIRRORS		
74A-001	RH DOWN VIEW MIRROR		
74B-115	RH HEATED BLACK HOOD/FENDER MOUNTED SIDE VIEW MIRROR WITH BRIGHT FINISH MOUNTING ARM	4	
64A-998	NO HOOD MOUNTED BUG DEFLECTOR		
729-001	STANDARD SIDE/REAR REFLECTORS		
677-100	POLISHED ALUMINUM DIAMOND PLATE WST AFTERTREATMENT SYSTEM COVER		
764-020	STAINLESS STEEL EXTERIOR SUN VISOR WITH INTEGRAL MARKER LIGHTS	16	
768-065	HIGH VISIBILITY 3-PIECE SOLAR TINTED REAR WINDOW, (1) 31 INCH X 20 INCH SOLAR TINTED REAR WINDOW, (2) 9 INCH X 20 INCH	20	
663-019	1-PIECE ROPED-IN SOLAR GREEN GLASS WINDSHIELD		
659-006	8 LITER (2 GAL) WINDSHIELD WASHER RESERVOIR, CAB MOUNTED, WITH FLUID LEVEL INDICATOR		

Cab Interior

055-016	X-SERIES PREMIUM INTERIOR TRIM LEVEL PACKAGE		
707-1C4	CHARCOAL BLACK VINYL UP LEVEL INTERIOR		
70K-017	CARBON WITH PREMIUM TEAK ACCENT		
772-035	BLACK MATS WITH ADDED FLOOR HEAT AND NOISE INSULATION		
785-014	(2) DASH MOUNTED POWER OUTLETS AND COIN TRAY		
691-001	FORWARD ROOF MOUNTED CONSOLE		
693-019	LH AND RH DOOR STORAGE POCKETS INTEGRATED INTO MOLDED DOOR PANELS		
741-015	(2) COAT HOOKS ON BACKWALL OF CAB		

Prepared for:
 JEFF DAVIDSON
 TOWN OF CASTLETON
 556 MAIN ST
 CASTLETON, VT 05735
 Phone: 802-345-0598

Prepared by:
 Craig Allen
 ATG PATRIOT LLC
 6243 ROUTE 5
 WESTMINSTER, VT 05158
 Phone: 802-722-4703

Data Code	Description	Weight Front	Weight Rear
738-021	DIGITAL ALARM CLOCK IN DRIVER DISPLAY		
170-015	STANDARD HEATER PLUMBING		
698-001	RADIATOR MOUNTED AIR CONDITIONER CONDENSER		
739-034	PREMIUM INSULATION		
324-1B2	PREMIUM LED CAB LIGHTING		
787-998	NO SECURITY DEVICE		
657-001	DOOR LOCKS AND IGNITION SWITCH KEYED THE SAME		
78G-003	KEY QUANTITY OF 3		
655-028	LH AND RH ELECTRIC DOOR LOCKS WITH AUTO UNLOCK FEATURE WHEN DOOR IS SET FROM OPEN TO CLOSED POSITION		
64C-003	BLACK DOOR HANDLES		
722-028	TRIANGULAR REFLECTORS KIT WITHOUT FLARES SHIPPED LOOSE IN CAB	10	
756-1J7	ELITE 2.0 HIGH BACK AIR SUSPENSION DRIVER SEAT W/2 AIR LUMBAR,ACTIVE BOLSTER,INTEGRATED CUSHION EXTENSION, TILT,ADJUSTABLE SHOCK, MAP POCKET, HEAT & VENTILATION	30	
760-332	BATTERY BOX MID BACK NON SUSPENSION PASSENGER SEAT WITH 3 BATTERY CAPACITY ONLY		
757-001	BLACK SUSPENSION COVER FOR AIR DRIVER SEAT	2	
759-007	DUAL DRIVER SEAT ARMRESTS, NO PASSENGER SEAT ARMRESTS		
758-131	BLACK LAREDO LEATHER DRIVER SEAT COVER WITH DIAMOND STITCHED CENTER PANELS AND EMBROIDERED LOGO		
761-134	BLACK LAREDO LEATHER PASSENGER SEAT COVER WITH NO STITCH PATTERN AND NO LOGO		
763-1AA	3 POINT ADJUSTABLE D-RING RETRACTOR DRIVER AND FIXED D-RING RETRACTOR PASSENGER SEAT BELTS		
532-002	ADJUSTABLE TILT AND TELESCOPING STEERING COLUMN		
540-070	4-SPOKE 18 INCH (450MM) LEATHER WRAPPED STEERING WHEEL WITH CHROME SWITCH BEZELS		
765-021	DRIVER AND PASSENGER INTERIOR SUN VISORS WITH ILLUMINATED VANITY MIRRORS		

Instruments & Controls

185-004	STANDARD FOOT PEDAL SYSTEM		
---------	----------------------------	--	--

Prepared for:
 JEFF DAVIDSON
 TOWN OF CASTLETON
 556 MAIN ST
 CASTLETON, VT 05735
 Phone: 802-345-0598

Prepared by:
 Craig Allen
 ATG PATRIOT LLC
 6243 ROUTE 5
 WESTMINSTER, VT 05158
 Phone: 802-722-4703

Data Code	Description	Weight Front	Weight Rear
106-002	ELECTRONIC ACCELERATOR CONTROL		
870-002	BRIGHT ARGENT FINISH GAUGE BEZELS		
734-018	STANDARD CENTER INSTRUMENT PANEL		
838-001	(1) PNEUMATIC SINGLE BRAKE APPLICATION AIR GAUGE		
840-001	DUAL NEEDLE PRIMARY AND SECCNDARY AIR PRESSURE GAUGE		
198-002	INTAKE MOUNTED AIR RESTRICTION INDICATOR WITH GRADUATIONS		
721-001	97 DB BACKUP ALARM		3
149-015	ELECTRONIC CRUISE CONTROL WITH CONTROLS ON STEERING WHEEL SPOKES		
156-007	KEY OPERATED IGNITION SWITCH AND INTEGRAL START POSITION; 4 POSITION OFF/RUN/START/ACCESSORY		
811-044	PREMIUM INSTRUMENT CLUSTER WITH 5.0 INCH TFT COLOR DISPLAY		
81B-003	DIGITAL PANEL LAMP DIMMER SWITCH IN DRIVER DISPLAY		
160-045	HEAVY DUTY ONBOARD DIAGNOSTICS INTERFACE CONNECTOR WITH DUST CAP LOCATED BELOW LH DASH		
844-001	2 INCH ELECTRIC FUEL GAUGE		
845-011	FUEL FILTER RESTRICTION INDICATOR		
148-085	EMISSIONS LIMITED IDLE ADJUST		
866-009	DUAL REAR AXLE TEMPERATURE GAUGES WITH SENSOR SHIELD		
856-001	ELECTRICAL ENGINE COOLANT TEMPERATURE GAUGE		
854-001	ENGINE OIL TEMPERATURE GAUGE		
852-002	ELECTRIC ENGINE OIL PRESSURE GAUGE		
864-001	2 INCH TRANSMISSION OIL TEMPERATURE GAUGE		
867-004	ELECTRONIC OUTSIDE TEMPERATURE SENSOR DISPLAY IN DRIVER MESSAGE CENTER		
830-017	ENGINE AND TRIP HOUR METERS INTEGRAL WITHIN DRIVER DISPLAY		
372-123	PTO CONTROLS FOR ENHANCED VEHICLE ELECTRIC/ELECTRONIC ARCHITECTURE		
736-998	NO OBSTACLE DETECTION SYSTEM		
73K-998	NO SIDE OBJECT DETECTION SYSTEM		
72J-998	NO DR ASSIST SYSTEM		
49B-998	NO VEHICLE STABILITY ADVISOR OR CONTROL		

Prepared for:
 JEFF DAVIDSON
 TOWN OF CASTLETON
 556 MAIN ST
 CASTLETON, VT 05735
 Phone: 802-345-0598

Prepared by:
 Craig Allen
 ATG PATRIOT LLC
 6243 ROUTE 5
 WESTMINSTER, VT 05158
 Phone: 802-722-4703

Data Code	Description	Weight Front	Weight Rear
73B-998	NO LANE DEPARTURE WARNING SYSTEM		
6TS-005	TMC RP1226 ACCESSORY CONNECTOR LOCATED BEHIND PASSENGER SIDE REMOVEABLE DASH PANEL		
746-135	AM/FM/WB WORLD TUNER RADIO WITH SIRIUSXM, BLUETOOTH, IPOD INTERFACE, USB AND AUXILIARY INPUTS, J1939		
747-001	DASH MOUNTED RADIO		
750-041	STANDARD SPEAKER SYSTEM		
753-007	AM/FM ANTENNA MOUNTED ON RH SIDE MIRROR		
748-006	POWER AND GROUND WIRING PROVISION OVERHEAD		
749-001	ROOF/OVERHEAD CONSOLE CB RADIO PROVISION		
751-001	SINGLE REMOTE SPEAKER WITH LEAD FOR 2- WAY RADIO		
752-004	SINGLE FIBERGLASS LH MIRROR MOUNTED CB ANTENNA WITH BRACKET AND LEAD		
78C-003	INTEROPERABLE SDAR ANTENNA		
810-027	ELECTRONIC MPH SPEEDOMETER WITH SECONDARY KPH SCALE, WITHOUT ODOMETER		
812-032	ELECTRONIC 2500 RPM TACHOMETER		
813-1C8	DETROIT CONNECT PLATFORM HARDWARE		
8D1-205	5 YEARS DETROIT CONNECT BASE PACKAGE (FEATURES VARY BY MODEL) DETROIT CONNECT PLATFORM		
162-002	IGNITION SWITCH CONTROLLED ENGINE STOP		
329-133	FOUR EXTRA HARDWIRED SWITCHES IN DASH, ROUTE TO BETWEEN SEATS, BLUNT/CUT		
4C1-025	HARDWIRE SWITCH #1, ON/OFF LATCHING, 20 AMPS IGNITION POWER		
4C2-026	HARDWIRE SWITCH #2, ON/OFF LATCHING, 10 AMPS BATTERY POWER		
4C3-017	HARDWIRE SWITCH #3, ON/OFF LATCHING, 10 AMPS BATTERY POWER		
4C4-016	HARDWIRE SWITCH #4, ON/OFF LATCHING, 20 AMPS IGNITION POWER		
81Y-005	PRE-TRIP INSPECTION FEATURE FOR EXTERIOR LAMPS ONLY		
482-001	BW TRACTOR PROTECTION VALVE		
883-001	TRAILER HAND CONTROL BRAKE VALVE	2	
842-006	DIGITAL TURBO AIR PRESSURE IN DRIVER DISPLAY		

Prepared for:
 JEFF DAVIDSON
 TOWN OF CASTLETON
 556 MAIN ST
 CASTLETON, VT 05735
 Phone: 802-345-0598

Prepared by:
 Craig Allen
 ATG PATRIOT LLC
 6243 ROUTE 5
 WESTMINSTER, VT 05158
 Phone: 802-722-4703

Data Code	Description	Weight Front	Weight Rear
836-015	DIGITAL VOLTAGE DISPLAY INTEGRAL WITH DRIVER DISPLAY		
304-030	ROTARY HEADLAMP SWITCH, MARKER LIGHTS/HEADLIGHTS SWITCH WITH PULL OUT FOR OPTIONAL FOG/ROAD LAMPS		
882-021	TWO VALVE PARKING BRAKE SYSTEM WITH DASH VALVE CONTROL AUTONEUTRAL AND WARNING INDICATOR		
299-020	SELF CANCELING TURN SIGNAL SWITCH WITH DIMMER, HEADLAMP FLASH, WASH/WIPE/INTERMITTENT		

Design

065-000 PAINT: ONE SOLID COLOR

Color

980-5A0 CAB COLOR A: L0441EY BLUE ELITE EY
 986-020 BLACK, HIGH SOLIDS POLYURETHANE CHASSIS PAINT
 964-5A1 BUMPER PAINT: L0001EY BLACK ELITE EY

Certification / Compliance

996-001 U.S. FMVSS CERTIFICATION, EXCEPT SALES CABS AND GLIDER KITS

Secondary Factory Options

999-014 DEALER HAS BEEN ADVISED OF AND ACCEPTED RESPONSIBILITY FOR MODIFICATIONS DUE TO POSSIBLE PTO/CHASSIS INTERFERENCE

Sales Programs

PMY-3X2 STARQUOTE 47X/49X SALES PROGRAM

TOTAL VEHICLE SUMMARY

Weight Summary

	Weight Front	Weight Rear	Total Weight
Factory Weight [†]	9837 lbs	8855 lbs	18692 lbs
Dealer Installed Options	0 lbs	0 lbs	0 lbs
Total Weight[†]	9837 lbs	8855 lbs	18692 lbs

Prepared for:
 JEFF DAVIDSON
 TOWN OF CASTLETON
 556 MAIN ST
 CASTLETON, VT 05735
 Phone: 802-345-0598

Prepared by:
 Craig Allen
 ATG PATRIOT LLC
 6243 ROUTE 5
 WESTMINSTER, VT 05158
 Phone: 802-722-4703

Extended Warranty

WAI-5DV	EW4: DD13H VOC \$0 DED 7 YEARS/150,000 MILES/241,500 KM FULL COVERAGE. FEX APPLIES
WBB-472	TC4: US HD STANDARD/MODERATE VOCATIONAL 7 YEARS/100,000 MILES/161,000 KM EXTENDED TRUCK COVERAGE
WAK-310	ALLISON 4700 RDS SERIES TRANSMISSION EXTENDED WARRANTY, 7 YEARS/UNLIMITED MILES. FEX APPLIES

Dealer Installed Options

		Weight	Weight
		Front	Rear
001	VIKIN TANDEM	0	0
Total Dealer Installed Options		0 lbs	0 lbs

(+) Weights shown are estimates only.

If weight is critical, contact Customer Application Engineering.

(***) All cost increases for major components (Engines, Transmissions, Axles, Front and Rear Tires) and government mandated requirements, tariffs, and raw material surcharges will be passed through and added to factory invoices.

Prepared for:
 JEFF DAVIDSON
 TOWN OF CASTLETON
 556 MAIN ST
 CASTLETON, VT 05735
 Phone: 802-345-0598

Prepared by:
 Craig Allen
 ATG PATRIOT LLC
 6243 ROUTE 5
 WESTMINSTER, VT 05158
 Phone: 802-722-4703

Q U O T A T I O N

WESTERN STAR 47X

SET FORWARD AXLE - TRUCK DETROIT DD13 GEN 5 12.8L 525 HP @ 1625 RPM, 1900 GOV RPM, 1850 LB/FT @ 975 RPM ALLISON 4700 RDS AUTOMATIC TRANSMISSION WITH PTO PROVISION RT-46-160 46,000# R-SERIES TANDEM REAR AXLE TUFTRAC GEN2 46,000# REAR SPRING SUSPENSION DETROIT DA-F-20.0-5 20,000# FL1 71.0 KPI/3.74 DROP SINGLE FRONT AXLE	9,500# LEFT, 10,500# RIGHT MIXER/PLOW FLAT LEAF FRONT SUSPENSION (20,000#) 111.6 INCH BBC CONVENTIONAL ALUMINUM CAB 5240MM (206 INCH) WHEELBASE, SFA ONLY 13.0MM X 87.0MM X 311.0MM STEEL FRAME (0.51X3.43X12.24 INCH) 120 KSI 1650MM (65 INCH) REAR FRAME OVERHANG
---	---

	TOTAL # OF UNITS (1)		PER UNIT		TOTAL
VEHICLE PRICE	\$		160,884	\$	160,884
EXTENDED WARRANTY		\$	13,704	\$	13,704
DEALER INSTALLED OPTIONS		\$	104,900	\$	104,900
CUSTOMER PRICE BEFORE TAX		\$	279,488	\$	279,488

TAXES AND FEES

TAXES AND FEES	\$	0	\$	0
OTHER CHARGES	\$	0	\$	0

TRADE-IN

TRADE-IN ALLOWANCE	\$	(0)	\$	(0)
--------------------	----	-----	----	-----

BALANCE DUE	(LOCAL CURRENCY)	\$	279,488	\$	279,488
-------------	------------------	----	---------	----	---------

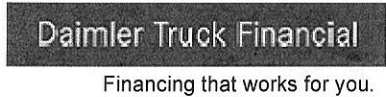
COMMENTS:

Projected delivery on ___ / ___ / ___ provided the order is received before ___ / ___ / ___.

APPROVAL:

Please indicate your acceptance of this quotation by signing below:

Customer: X _____ Date: ___ / ___ / ___.



See your local dealer for a competitive quote from Daimler Truck Financial, or contact us at Information@dtfoffers.com.
 Daimler Truck Financial offers a variety of finance, lease and insurance solutions to fit your business needs. For more information about our products and services, visit our website at www.daimler-truckfinancial.com.



Viking-Cives of Vermont
74 Armand Lane

Williston, VT 05495
Phone: (802) 660-9991
Fax: (802) 660-9992
www.vikingcives.com

QUOTATION

Error! Reference
Quote ID: **source not found.**

Page 1 of 2

Customer: ATG Westminster
6243 US Route 5
Westminster, VT 05158

Quote Number: Castleton
Quote Date: 12/27/23
Quote valid until: 12/04/24
VAOT Contract #45166

Contact: Craig Allen
Phone: 802-722-4703

Salesperson: Mike Murray

Part Number	Description	Quantity	Unit Price	Amount
	Power Tilt Hitch w/Wing Mount and Twin Chain Tilt	1		
	Quick Lock Jaws	1		
	FAH33 Hydraulic Front Post Assembly w/Mirror	1		
	Full Trip Hinge – 10 Degree w/Lockout	1		
	Patrol Rear Support w/Quick Detachable 3 Point Attach	1		
	1011 WHD Wing	1		
	HD Full Trip Hydraulic Arms (Cushion Spring Lower)	1		
	Sabre Wing Blades	1		
	Moldboard Shoes (Pair)	1		
	R2654HSE Slotted Compression Spring Trip Moldboard	1		
	PRR Hydraulic Reverse Slotted Compression Trip Drive Frame	1		
	Quick Lock Push Lug Swivel	1		
	Three Chain Level Lift	1		
	HD Sabre Blades	1		
	Moldboard Shoes (Pair)	1		
	Slot Adjust Frame Shoes (Pair)	1		
	Front Mounted Large Volume Gear Pump w/Dry Valve	1		
	Behind Cab Mounted Oil Reservoir	1		
	8 Section Load Sharing/Proportional Implement/Spreader Valve	1		
	Pedestal Mounted Air Actuated Cab Controls w/Remote	1		
	Dual Function Electronic Spreader Control	1		
	Stainless Steel Hydraulic Piping to the Front and Rear	1		
	PLSD14' Side Dump Body w/Remote Lubrication Kit	1		
	¼" AR450 Floor/Tipper w/I-Beam Long and Cross Members	1		
	AR450 Driver's Wall and Corten Structural/Safety Wall	1		
	½ Cab Shield	1		
	Nine Panel Air Tailgate w/Barn Door	1		
	SA Hoist	1		
	3 Pt Ladder, Gearbox Step, and Inner Body Step	1		
	Shovel Holder and Stainless Toolbox	1		
	Electronic Actuated Spinner Reverse	1		
	Electric Actuated Chute Vibrator	1		



Viking-Cives of Vermont
 74 Armand Lane
 Willison, VT 05495
 Phone: (802) 660-9991
 Fax: (802) 660-9992
 www.vikingcives.com

QUOTATION

Error! Reference
 Quote ID: **source not found.**

Part Number	Description	Quantity	Unit Price	Amount
	Electric Actuated Body Vibrator	1		
	Electric Cover w/30 Deg Alum Arms, Mesh Tarp, Tensioner	1		
	Steel Sideboards w/Rooftop	1		
	Pintle Plate w/25 Ton Hook, Electrical Plug, and Glad Hands	1		
	Front and Rear Mud Flaps w/Front Mounted Anti-Sails	1		
	Shot Blasted, Zinc/Epoxy Primed, and High Temp Baked	1		
	Painted Dupont Imron Black and High Temp Baked	1		
	Linex Protection Package	1		
	Conspicuity Tape	1		
	LED Heated Shield (4) and Corner Strobes	1		
	LED Heated Stop/Tail/Turns and Back Ups and LED Markers	1		
	LED Heated Plow Lights and LED Light Bar	1		
	LED Heated Spot Lights	5		
Quote Total:				\$104,900.00
Trade:				
Total Due:				\$104,900.00

The following items may be added:

Part Number	Description	Quantity	Unit Price	Amount

Customer must fill out the information below before the order can be processed...

<i>Accepted by:</i>	
<i>Date:</i>	
<i>P.O. number:</i>	

- The price and terms on this quotation are not subject to verbal changes or other agreements unless approved in writing by the seller. All quotations and agreements are contingent upon strikes, accidents, fires, availability of material, and all other causes beyond our control. Prices are based on cost and conditions existing on the date of quotation and are subject to change by the seller before final inspection.
- Typographical and stenographic errors are subject to correction.
- Conditions not specifically stated herein shall be governed by the established trade customs. Terms inconsistent with those stated herein which may appear on purchaser's final order will not be binding on the seller.
- Terms are due upon receipt unless prior credit has been established or established accounts are set up with Net 30-day terms.
- Quoted price does not include any applicable taxes and is subject to state and local tax, as well as Federal excise tax unless proper forms are submitted and established when applicable.
- All orders are FOB Viking facility unless noted otherwise.

Notes: