

---

2024 F-600 Chassis 4x4 SD Regular Cab 169" WB DRW XL (F6L)

Price Level: 420

---



**Client Proposal**

Prepared by:

Travis Romano

Office: 802-388-6718

Email: [travis@gstonemotors.com](mailto:travis@gstonemotors.com)

Date: 12/28/2023



G. Stone Motors, Inc. | Route 7 South, Middlebury, Vermont, 05753

Office: 802-388-6718



Prepared by: Travis Romano  
12/28/2023

G. Stone Motors, Inc. | Route 7 South Middlebury Vermont | 05753

---

## 2024 F-600 Chassis 4x4 SD Regular Cab 169" WB DRW XL (F6L)

Price Level: 420

---

### Re: Vehicle Proposal 12/28/2023

---

To Whom It May Concern,

Thank you very much for your interest in acquiring a vehicle from our dealership. We concur that your interest is well deserved. We hope that an outstanding product lineup and our dedication to customer service will enhance your ownership experience should you decide to buy a vehicle from us.

Attached, please find additional information that I hope will assist you in making a more informed decision. Please feel free to contact me at any time as I would truly appreciate the opportunity to be of service to you.

Sincerely,

**Travis Romano**  
General Manager  
802-388-6718  
travis@gstonemotors.com



Prepared by: Travis Romano  
12/28/2023

G. Stone Motors, Inc. | Route 7 South Middlebury Vermont | 05753

---

## 2024 F-600 Chassis 4x4 SD Regular Cab 169" WB DRW XL (F6L)

Price Level: 420

---

# Table of Contents

Description	Page
Cover Page .....	1
Cover Letter .....	2
Table of Contents .....	3
Selected Equip & Specs .....	4
Warranty .....	17
As Configured Vehicle .....	18
Pricing Summary - Single Vehicle .....	21
Window Sticker .....	22
Vehicle Dimension and Performance .....	25



Prepared by: Travis Romano

12/28/2023

G. Stone Motors, Inc. | Route 7 South Middlebury Vermont | 05753

## 2024 F-600 Chassis 4x4 SD Regular Cab 169" WB DRW XL (F6L)

Price Level: 420

# Selected Equip & Specs

## Dimensions

- Conventional Capacity: 18,500 lbs.
- \* **Fifth-wheel towing capacity: 34,000 lbs.**
- Vehicle body length: 254.8"
- Wheelbase: 169.0"
- Rear track: 74.0"
- Cab to axle: 84.0"
- Axle to end of frame: 47.2"
- Frame yield strength (psi): 50000.0
- Front bumper to front axle: 38.3"
- Front brake diameter: 15.4"
- Interior rear cargo volume: 11.6 cu.ft.
- Total passenger volume: 64.6 cu.ft.
- Leg room first-row: 43.9"
- Hip room first-row: 62.5"
- \* **GCWR: 43,500 lbs.**
- \* **Gooseneck towing capacity: 34,200 lbs.**
- Vehicle body width: 80.0"
- Front track: 74.8"
- Vehicle turning radius: 24.2'
- Rear tire outside width: 93.9"
- Frame section modulus: 12.7 cu.in.
- Frame rail width: 34.2"
- Front bumper to back of cab: 123.7"
- Rear brake diameter: 15.8"
- Max interior rear cargo volume: 11.6 cu.ft.
- Headroom first-row: 40.8"
- Shoulder room first-row: 66.7"

## Powertrain

- \* **Powerstroke 6.7L V-8 diesel direct injection, DEVCT intercooled turbo, diesel, engine with 330HP**
- \* **Compression ignition system**
- \* **Torque: 950 lb.-ft. @1800 RPM**
- Radiator
- \* **Engine retarder system**
- Part-time 4WD
- \* **Recommended fuel: diesel**
- Driveline managed traction control
- Electronic transfer case shift
- Engine cylinders: V-8
- \* **Horsepower: 330 HP @2200 RPM**
- \* **Engine block heater**
- Auxiliary power take-off
- 10-speed automatic
- Four-wheel drive
- Mechanical limited slip differential
- Auto locking hub control

## Fuel Economy and Emissions

- \* **Diesel secondary fuel type**
- Federal emissions

## Suspension and Handling

- Firm ride suspension
- Heavy-duty rear shock absorbers
- Heavy-duty front shock absorbers

## Driveability

- 4-wheel disc brakes
- 4-wheel antilock (ABS) brakes
- Brake assist system
- Front and rear ventilated disc brakes
- Four channel ABS brakes
- Hill Start Assist

Prices and content availability as shown are subject to change and should be treated as estimates only. Actual base vehicle, package and option pricing may vary from this estimate because of special local pricing, availability or pricing adjustments not reflected in the dealer's computer system. See salesperson for the most current information.



Prepared by: Travis Romano

12/28/2023

G. Stone Motors, Inc. | Route 7 South Middlebury Vermont | 05753

## 2024 F-600 Chassis 4x4 SD Regular Cab 169" WB DRW XL (F6L)

Price Level: 420

### Selected Equip & Specs (cont'd)

- Mono-beam rigid axle front suspension
- Front coil springs
- Leaf spring rear suspension
- Hydraulic power-assist steering system
- 2-wheel steering system
- Front anti-roll bar
- DANA M300 rigid axle rear suspension
- Rear anti-roll bar
- Re-circulating ball steering

### Body Exterior

- Trailer wiring harness
- 2 doors
- Monotone paint
- Black side window trim
- Black door handles
- \* **Body-coloured front bumper rub strip**
- \* **Black grille with chrome accents**
- Manual extendable trailer mirrors
- Turn signal indicator in door mirrors
- 19.5 x 6.75-inch front and dual rear argnt steel wheels
- \* **Running boards**
- Clearcoat paint
- Black fender flares
- Black windshield trim
- \* **Chrome front bumper**
- 2 front tow hooks
- Black door mirrors
- Convex spotter in driver and passenger side door mirrors
- \* **LT245/70RS19.5 AT BSW front and rear tires**

### Convenience

- Power door locks with 2 stage unlocking
- All-in-one remote fob and ignition key
- \* **FordPass Connect smart device and keyfob vehicle start control**
- Power first-row windows
- Illuminated locking glove box
- Front beverage holders
- Instrument panel covered bin
- Retained accessory power
- Trip computer
- Over the air updates
- Keyfob activated door locks
- Cruise control with steering wheel mounted controls
- Day/Night rearview mirror
- Fixed rear windshield
- Illuminated glove box
- 6 beverage holders
- Dashboard storage
- PRND in IP
- Upfitter switches

### Comfort

- Manual climate control
- \* **Additional in-cabin heater**
- Full headliner coverage
- Full floor coverage
- Manual telescopic steering wheel
- Cabin air filter
- Cloth headliner material
- Full vinyl floor covering
- Manual tilting steering wheel
- Urethane steering wheel

### Seats and Trim

Prices and content availability as shown are subject to change and should be treated as estimates only. Actual base vehicle, package and option pricing may vary from this estimate because of special local pricing, availability or pricing adjustments not reflected in the dealer's computer system. See salesperson for the most current information.



Prepared by: Travis Romano

12/28/2023

G. Stone Motors, Inc. | Route 7 South Middlebury Vermont | 05753

## 2024 F-600 Chassis 4x4 SD Regular Cab 169" WB DRW XL (F6L)

Price Level: 420

### Selected Equip & Specs (cont'd)

- Seating capacity: 3
- Split-bench front seat
- Front passenger seat with 4-way directional controls
- Manual front seat head restraint control
- Front seat armrest storage
- Manual driver seat fore/aft control
- Manual passenger seat fore/aft control
- Vinyl front seat upholstery
- 40-20-40 split-bench front seat
- Driver seat with 4-way directional controls
- Height adjustable front seat head restraints
- Front seat center armrest
- Manual reclining driver seat
- Manual reclining passenger seat
- Manual driver seat lumbar

### Entertainment Features

- 2 total number of 1st row displays
- Primary touchscreen display
- In-vehicle audio
- FM radio
- SYNC 4 external memory control
- Standard grade speakers
- SYNC 4 voice activated audio controls
- Wireless audio streaming
- 8 inch primary LCD display
- AM/FM stereo radio
- AM radio
- Seek scan
- Speakers number: 4
- Steering wheel mounted audio controls
- Speed sensitive volume
- Fixed audio antenna

### Lighting, Visibility and Instrumentation

- Digital/analog instrumentation display
- Trip odometer
- Compass
- Driver information center
- Tachometer
- \* **Turbo/supercharger boost gauge**
- Engine hour meter
- Light tinted windows
- Halogen headlights
- Multiple enclosed headlights
- DRL preference setting
- Front reading lights
- Variable instrument panel light
- \* **Front fog lights**
- Remote activated perimeter approach lighting
- Configurable instrumentation gauges
- In-radio display clock
- Exterior temperature display
- Gauge cluster display size (inches): 4.20
- Engine/electric motor temperature gauge
- Transmission fluid temperature gauge
- \* **Diesel exhaust fluid (def) gauge**
- Aero-composite headlights
- Autolamp auto on/off headlight control
- Delay-off headlights
- Variable intermittent front windshield wipers
- Illuminated entry
- Daytime running lights
- Cab clearance lights
- Fade interior courtesy lights

### Technology and Telematics

- SYNC 4 911 Assist emergency SOS system via mobile device
- AppLink/Apple CarPlay and Android Auto smart device wireless mirroring
- SYNC 4 handsfree wireless device connectivity
- FordPass Connect 5G mobile hotspot internet access

Prices and content availability as shown are subject to change and should be treated as estimates only. Actual base vehicle, package and option pricing may vary from this estimate because of special local pricing, availability or pricing adjustments not reflected in the dealer's computer system. See salesperson for the most current information.



Prepared by: Travis Romano

12/28/2023

G. Stone Motors, Inc. | Route 7 South Middlebury Vermont | 05753

## 2024 F-600 Chassis 4x4 SD Regular Cab 169" WB DRW XL (F6L)

Price Level: 420

### Selected Equip & Specs (cont'd)

- 2 USB ports

#### Safety and Security

- Driver front impact airbag
- Safety Canopy System curtain first-row overhead airbags
- Seat mounted side impact front passenger airbag
- Front height adjustable seatbelts
- Remote panic alarm
- AdvanceTrac w/Roll Stability Control electronic stability control system with anti-roll
- Seat mounted side impact driver airbag
- Cancellable front passenger air bag
- 6 airbags
- SecuriLock immobilizer
- \* **Rear mounted camera**

#### Dimensions

##### General Weights

* <b>Curb weight</b> .....	<b>8,044 lbs.</b>	* <b>Rear curb weight</b> .....	<b>3,242 lbs.</b>
GVWR .....	22,000 lbs.	* <b>Payload</b> .....	<b>13,950 lbs.</b>

##### Trailer Weights

* <b>Fifth-wheel towing capacity</b> .....	<b>34,000 lbs.</b>	* <b>Gooseneck towing capacity</b> .....	<b>34,200 lbs.</b>
Conventional capacity .....	18,500 lbs.	* <b>GCWR</b> .....	<b>43,500 lbs.</b>

##### Front Weights

* <b>Front curb weight</b> .....	<b>4,802 lbs.</b>	GAWR front .....	7,500 lbs.
Axle capacity front .....	7,500 lbs.	Spring rating front .....	7,500 lbs.
Tire/wheel capacity front .....	9,080 lbs.		

##### Rear Weights

GAWR rear .....	15,500 lbs.	Axle capacity rear .....	15,500 lbs.
Spring rating rear .....	15,500 lbs.	Tire/wheel capacity rear .....	17,200 lbs.

##### Exterior Measurements

Vehicle body length .....	254.8"	Vehicle body width .....	80.0"
Wheelbase .....	169.0"	Front brake diameter .....	15.4"
Rear brake diameter .....	15.8"	Rear frame height loaded .....	28.6"
Rear frame height unloaded .....	34.5"	Front track .....	74.8"
Rear track .....	74.0"	Vehicle turning radius .....	24.2'
Cab to axle .....	84.0"	Rear tire outside width .....	93.9"
Axle to end of frame .....	47.2"	Frame section modulus .....	12.7 cu.in.
Frame yield strength (psi) .....	50000.0	Frame rail width .....	34.2"
Front bumper to front axle .....	38.3"	Front bumper to back of cab .....	123.7"

##### Interior Measurements

Interior rear cargo volume .....	11.6 cu.ft.	Max interior rear cargo volume .....	11.6 cu.ft.
----------------------------------	-------------	--------------------------------------	-------------

Prices and content availability as shown are subject to change and should be treated as estimates only. Actual base vehicle, package and option pricing may vary from this estimate because of special local pricing, availability or pricing adjustments not reflected in the dealer's computer system. See salesperson for the most current information.



Prepared by: Travis Romano

12/28/2023

G. Stone Motors, Inc. | Route 7 South Middlebury Vermont | 05753

## 2024 F-600 Chassis 4x4 SD Regular Cab 169" WB DRW XL (F6L)

Price Level: 420

### Selected Equip & Specs (cont'd)

#### Interior Volume

Total passenger volume ..... 64.6 cu.ft.

#### Headroom

Headroom first-row ..... 40.8"

#### Legroom

Leg room first-row ..... 43.9"

#### Shoulder Room

Shoulder room first-row ..... 66.7"

#### Hip Room

Hip room first-row ..... 62.5"

### Powertrain

#### Engine

\* **Engine** ..... **Powerstroke 6.7L V-8 diesel direct injection, DEVCT intercooled turbo, diesel, engine with 330HP**

Engine cylinders ..... V-8

\* **Ignition** ..... **Compression ignition system**

Engine block material ..... Iron engine block

\* **Valves per cylinder** ..... **4**

Engine location ..... Front mounted engine

Engine mounting direction ..... Longitudinal mounted engine

Cylinder head material ..... Aluminum cylinder head

#### Engine Specs

\* **Displacement** ..... **6.7L**

\* **Bore** ..... **3.9"**

\* **Compression ratio** ..... **15.2**

\* **cc** ..... **405.9 cu.in.**

\* **Stroke** ..... **4.25"**

SAEJ1349 ..... AUG2004 compliant

#### Engine Power

\* **Horsepower** ..... **330 HP @ 2200 RPM**

\* **Torque** ..... **950 lb.-ft. @ 1800 RPM**

#### Alternator

Alternator amps ..... 250A

\* **Alternator rating** ..... **160A**

\* **Alternator type** ..... **Dual alternator**

#### Battery

\* **Battery amps** ..... **68Ah**

Battery rating ..... 750CCA

\* **Battery type** ..... **Dual lead acid battery**

Battery run down protection ..... Battery run down protection

#### Engine Extras

\* **Block heater** ..... **Engine block heater**

Radiator ..... Radiator

Prices and content availability as shown are subject to change and should be treated as estimates only. Actual base vehicle, package and option pricing may vary from this estimate because of special local pricing, availability or pricing adjustments not reflected in the dealer's computer system. See salesperson for the most current information.





Prepared by: Travis Romano

12/28/2023

G. Stone Motors, Inc. | Route 7 South Middlebury Vermont | 05753

## 2024 F-600 Chassis 4x4 SD Regular Cab 169" WB DRW XL (F6L)

Price Level: 420

### Selected Equip & Specs (cont'd)

Auxiliary power take-off... Auxiliary power take-off

\* **Engine retarder** ..... **Engine retarder system**

#### Transmission

Transmission ..... 10-speed automatic

Transmission electronic control ..... Transmission electronic control

Overdrive transmission... Overdrive transmission

Lock-up transmission ..... Lock-up transmission

First gear ratio ..... 4.615

Second gear ratio ..... 2.919

Third gear ratio ..... 2.132

Fourth gear ratio ..... 1.773

Fifth gear ratio ..... 1.519

Sixth gear ratio ..... 1.277

Reverse gear ratio ..... 4.695

Seventh gear ratio ..... 1

Eighth gear ratio ..... 0.851

Ninth gear ratio ..... 0.687

Tenth gear ratio ..... 0.632

Stall ratio ..... 1.97

Selectable mode transmission... Selectable mode transmission

Sequential shift control... SelectShift Sequential shift control

Transmission oil cooler... Transmission oil cooler

PTO transmission provision ..... PTO transmission provision

#### Drive Type

4WD type ..... Part-time 4WD

Drive type ..... Four-wheel drive

#### Drivetrain

\* **Axle ratio** ..... **4.3**

#### Exhaust

Tailpipe ..... Stainless steel single exhaust

#### Fuel

\* **Fuel type** ..... **diesel**

#### Fuel Tank

\* **DEF capacity** ..... **7.20 gal.**

Fuel tank capacity ..... 40.00 gal.

#### Drive Feature

Limited slip differential... Mechanical limited slip differential

Traction control ..... Driveline managed traction control

Locking hub control ..... Auto locking hub control

Transfer case ..... Electronic transfer case shift

#### Provisions

\* **Provisions** ..... **Snow plow provisions**

### Fuel Economy and Emissions

#### Fuel Economy

\* **Secondary fuel type** ..... **Diesel secondary fuel type**

Prices and content availability as shown are subject to change and should be treated as estimates only. Actual base vehicle, package and option pricing may vary from this estimate because of special local pricing, availability or pricing adjustments not reflected in the dealer's computer system. See salesperson for the most current information.



Prepared by: Travis Romano

12/28/2023

G. Stone Motors, Inc. | Route 7 South Middlebury Vermont | 05753

## 2024 F-600 Chassis 4x4 SD Regular Cab 169" WB DRW XL (F6L)

Price Level: 420

### Selected Equip & Specs (cont'd)

#### Emissions

Emissions ..... Federal emissions

### Suspension and Handling

#### Suspension

Suspension ..... Firm ride suspension

Front shock absorbers ..... Heavy-duty front shock absorbers

Rear shock absorbers ..... Heavy-duty rear shock absorbers

### Driveability

#### Brakes

Brake type ..... 4-wheel disc brakes

Ventilated brakes ..... Front and rear ventilated disc brakes

ABS brakes ..... Four channel ABS brakes

ABS brakes ..... 4-wheel antilock (ABS) brakes

#### Brake Assistance

Hill start assist ..... Hill Start Assist

Brake assist system ..... Brake assist system

#### Front Suspension

Anti-roll bar front ..... Front anti-roll bar

Suspension ride type front ..... Mono-beam rigid axle front suspension

#### Front Spring

HD front springs ..... Heavy-duty front springs

Springs front ..... Front coil springs

#### Rear Spring

Springs rear ..... Rear leaf springs

Rear springs ..... Heavy-duty rear springs

#### Rear Suspension

Anti-roll bar rear ..... Rear anti-roll bar

Suspension type rear ..... Leaf spring rear suspension

Suspension ride type rear ..... DANA M300 rigid axle rear suspension

#### Steering

Steering ..... Hydraulic power-assist steering system

Steering type ..... Re-circulating ball steering

Steering type number of wheels ..... 2-wheel steering system

### Exterior

#### Front Wheels

Front wheels diameter ..... 19.5"

Front wheels width ..... 6.8"

Prices and content availability as shown are subject to change and should be treated as estimates only. Actual base vehicle, package and option pricing may vary from this estimate because of special local pricing, availability or pricing adjustments not reflected in the dealer's computer system. See salesperson for the most current information.



Prepared by: Travis Romano  
12/28/2023

G. Stone Motors, Inc. | Route 7 South Middlebury Vermont | 05753

## 2024 F-600 Chassis 4x4 SD Regular Cab 169" WB DRW XL (F6L)

Price Level: 420

### Selected Equip & Specs (cont'd)

#### Rear Wheels

Rear wheels diameter ..... 19.5"      Rear wheels width ..... 6.8"

#### Front And Rear Wheels

Appearance ..... argent      Material ..... steel

#### Front Tires

Aspect ..... 70      Diameter ..... 19.5"  
Sidewalls ..... BSW      Speed ..... S  
\* **Tread** ..... **AT**      Type ..... LT  
Width ..... 245mm      Front wheel - RPM ..... 611

#### Rear Tires

Aspect ..... 70      Diameter ..... 19.5"  
Sidewalls ..... BSW      Speed ..... S  
\* **Tread** ..... **AT**      Type ..... LT  
Width ..... 245mm      Rear wheel - RPM ..... 611

### Body Exterior

#### Trailer

Towing wiring harness ..... Trailer wiring harness      Towing brake controller ..... Trailer brake controller  
Towing trailer sway ..... Trailer sway control

#### Exterior Features

Number of doors ..... 2 doors      \* **Running boards** ..... **Running boards**  
\* **Skid plate** ..... **1 underbody skid plate**      Front splash guards ..... Front splash guards  
\* **License plate front bracket** ..... **Front license plate bracket**

#### Body

Body panels ..... Aluminum body panels with side impact beams

#### Mirrors

Convex spotter ..... Convex spotter in driver and passenger side door mirrors      Turn signal in door mirrors ..... Turn signal indicator in door mirrors

#### Tires

Front tires LT load rating ..... G      Rear tires LT load rating ..... G

#### Wheels

Dual rear wheels ..... Dual rear wheels

### Convenience

Prices and content availability as shown are subject to change and should be treated as estimates only. Actual base vehicle, package and option pricing may vary from this estimate because of special local pricing, availability or pricing adjustments not reflected in the dealer's computer system. See salesperson for the most current information.



Prepared by: Travis Romano

12/28/2023

G. Stone Motors, Inc. | Route 7 South Middlebury Vermont | 05753

## 2024 F-600 Chassis 4x4 SD Regular Cab 169" WB DRW XL (F6L)

Price Level: 420

### Selected Equip & Specs (cont'd)

#### Door Locks

Door locks ..... Power door locks with 2 stage unlocking

All-in-one key All-in-one remote fob and ignition key

Keyfob door locks ... Keyfob activated door locks

#### Cruise Control

Cruise control ..... Cruise control with steering wheel mounted controls

#### Key Fob Controls

\* **Fob remote vehicle controls** ..... **FordPass Connect smart device and keyfob vehicle start control**

#### Rear View Mirror

Day/Night rearview mirror ..... Day/Night rearview mirror

#### Exterior Mirrors

Door mirrors ..... Power door mirrors

Heated door mirrors ..... Heated driver and passenger side door mirrors

Folding door mirrors Manual folding door mirrors

#### Front Side Windows

First-row windows ..... Power first-row windows

#### Overhead Console

Overhead console ..... Full overhead console

Overhead console storage ..... Overhead console storage

#### Passenger Visor

Visor passenger mirror ... Passenger visor mirror

#### Power Outlets

12V power outlets ..... 2 12V power outlets

\* **120V AC power outlets** ..... **1 120V AC power outlet**

#### Rear Windshield

Rear windshield ..... Fixed rear windshield

#### Storage

Number of beverage holders ... 6 beverage holders

Glove box ..... Illuminated locking glove box

Instrument panel storage ..... Instrument panel covered bin

Beverage holders ..... Front beverage holders

Illuminated glove box ..... Illuminated glove box

Dashboard storage ..... Dashboard storage

Prices and content availability as shown are subject to change and should be treated as estimates only. Actual base vehicle, package and option pricing may vary from this estimate because of special local pricing, availability or pricing adjustments not reflected in the dealer's computer system. See salesperson for the most current information.



Prepared by: Travis Romano

12/28/2023

G. Stone Motors, Inc. | Route 7 South Middlebury Vermont | 05753

## 2024 F-600 Chassis 4x4 SD Regular Cab 169" WB DRW XL (F6L)

Price Level: 420

### Selected Equip & Specs (cont'd)

#### Windows Feature

One-touch up window ..... Driver and passenger  
one-touch up windows

One-touch down window ..... Driver and passenger  
one-touch down windows

#### Miscellaneous

Trip computer ..... Trip computer  
Upfitter switches ..... Upfitter switches  
Over the air updates ..... Over the air updates

PRND in IP ..... PRND in IP  
Accessory power ..... Retained accessory power

### Comfort

#### Climate Control

Climate control ..... Manual climate control  
\* **in-cabin heater** ..... **Additional in-cabin heater**

Cabin air filter ..... Cabin air filter

#### Headliner

Headliner material ..... Cloth headliner material

Headliner coverage ..... Full headliner coverage

#### Floor Trim

Floor covering ..... Full vinyl floor covering

Floor coverage ..... Full floor coverage

#### Steering Wheel

Steering wheel telescopic ..... Manual telescopic  
steering wheel

Steering wheel material Urethane steering wheel

Steering wheel tilt ..... Manual tilting steering wheel

### Seats and Trim

#### Seat Capacity

Seating capacity ..... 3

#### Front Seats

Front seat type ..... Split-bench front seat

Driver seat direction ..... Driver seat with 4-way  
directional controls

Driver seat fore/aft control ..... Manual driver seat  
fore/aft control

Passenger seat direction ..... Front passenger seat  
with 4-way directional controls

Split front seats 40-20-40 split-bench front seat

Reclining passenger seat ..... Manual reclining  
passenger seat

Passenger seat fore/aft control Manual passenger  
seat fore/aft control

Front head restraints ..... Height adjustable front  
seat head restraints

Front head restraint control ..... Manual front seat  
head restraint control

Armrests front center ..... Front seat center armrest

Armrests front storage ..... Front seat armrest  
storage

Reclining driver seat Manual reclining driver seat

#### Lumbar Seats

Prices and content availability as shown are subject to change and should be treated as estimates only. Actual base vehicle, package and option pricing may vary from this estimate because of special local pricing, availability or pricing adjustments not reflected in the dealer's computer system. See salesperson for the most current information.



Prepared by: Travis Romano

12/28/2023

G. Stone Motors, Inc. | Route 7 South Middlebury Vermont | 05753

## 2024 F-600 Chassis 4x4 SD Regular Cab 169" WB DRW XL (F6L)

Price Level: 420

### Selected Equip & Specs (cont'd)

Driver lumbar ..... Manual driver seat lumbar

#### Front Seat Trim

Front seat upholstery Vinyl front seat upholstery

Front seatback upholstery Vinyl front seatback upholstery

#### Interior Accents

Interior accents ..... Chrome interior accents

#### Gearshifter Material

Gearshifter material ..... Urethane gear shifter material

### Entertainment Features

#### LCD Displays

Primary touchscreen display Primary touchscreen display

Number of first-row LCD displays 2 total number of 1st row displays

LCD primary display size ..... 8 inch primary LCD display

#### Radio Features

External memory ..... SYNC 4 external memory control

Seek scan ..... Seek scan

#### Speakers

Speakers ..... Standard grade speakers

Speakers number ..... 4

#### Audio Features

Steering mounted audio control ..... Steering wheel mounted audio controls

Speed sensitive volume Speed sensitive volume

Voice activated audio ..... SYNC 4 voice activated audio controls

Wireless streaming ..... Wireless audio streaming

### Lighting, Visibility and Instrumentation

#### Instrumentation

Trip odometer ..... Trip odometer

Instrumentation display ..... Digital/analog instrumentation display

Configurable instrumentation gauges Configurable instrumentation gauges

#### Instrumentation Displays

Temperature display ..... Exterior temperature display

Driver information center ..... Driver information center

Clock ..... In-radio display clock

Compass ..... Compass

#### Instrumentation Gauges

Prices and content availability as shown are subject to change and should be treated as estimates only. Actual base vehicle, package and option pricing may vary from this estimate because of special local pricing, availability or pricing adjustments not reflected in the dealer's computer system. See salesperson for the most current information.



Prepared by: Travis Romano

12/28/2023

G. Stone Motors, Inc. | Route 7 South Middlebury Vermont | 05753

## 2024 F-600 Chassis 4x4 SD Regular Cab 169" WB DRW XL (F6L)

Price Level: 420

### Selected Equip & Specs (cont'd)

Tachometer ..... Tachometer

\* **Turbo gauge** ..... **Turbo/supercharger boost gauge**

Gauge cluster display size (inches) ..... 4.20

\* **DEF fluid gauge** ..... **Diesel exhaust fluid (def) gauge**

#### Instrumentation Warnings

Engine temperature warning ..... Engine temperature warning

Low fuel warning ..... Low fuel warning

Battery charge warning ..... Battery charge warning

Key in vehicle warning ..... Key in vehicle warning

Service interval warning ..... Service interval indicator

\* **Low diesel exhaust fluid (DEF) warning** ..... **Low diesel exhaust fluid (DEF) warning**

#### Glass

Tinted windows ..... Light tinted windows

#### Headlights

Headlights ..... Halogen headlights

Auto headlights ..... Autolamp auto on/off headlight control

Delay off headlights ..... Delay-off headlights

#### Front Windshield

Wipers ..... Variable intermittent front windshield wipers

#### Interior Lighting

Illuminated entry ..... Illuminated entry

Front reading lights ..... Front reading lights

#### Lights

Running lights ..... Daytime running lights

\* **Fog lights** ..... **Front fog lights**

Perimeter approach lighting ..... Remote activated perimeter approach lighting

Transmission temperature gauge ..... Transmission fluid temperature gauge

Engine/electric motor temperature gauge ..... Engine/electric motor temperature gauge

Engine hour meter ..... Engine hour meter

Oil pressure warning ..... Oil pressure warning

Low brake fluid warning ..... Low brake fluid warning

Headlights on reminder ..... Headlights on reminder

Door ajar warning ..... Door ajar warning

Low tire pressure warning ..... Tire specific low air pressure warning

Headlight type ..... Aero-composite headlights

Multiple headlights ..... Multiple enclosed headlights

DRL preference setting ..... DRL preference setting

Variable panel light ..... Variable instrument panel light

Interior courtesy lights ..... Fade interior courtesy lights

Clearance lights ..... Cab clearance lights

Prices and content availability as shown are subject to change and should be treated as estimates only. Actual base vehicle, package and option pricing may vary from this estimate because of special local pricing, availability or pricing adjustments not reflected in the dealer's computer system. See salesperson for the most current information.



Prepared by: Travis Romano

12/28/2023

G. Stone Motors, Inc. | Route 7 South Middlebury Vermont | 05753

## 2024 F-600 Chassis 4x4 SD Regular Cab 169" WB DRW XL (F6L)

Price Level: 420

# Selected Equip & Specs (cont'd)

## Technology and Telematics

### Connectivity

Handsfree SYNC 4 handsfree wireless device connectivity

Smart device integration. AppLink/Apple CarPlay and Android Auto smart device wireless mirroring

Emergency SOS ..... SYNC 4 911 Assist emergency SOS system via mobile device

### Internet Access

Internet access ..... FordPass Connect 5G mobile hotspot internet access

### USB Ports

USB ports ..... 2 USB ports

## Safety and Security

### Airbags

Front impact airbag driver ..... Driver front impact airbag

Number of airbags ..... 6 airbags

Front impact airbag passenger ..... Cancellable front passenger air bag

Front side impact airbag driver Seat mounted side impact driver airbag

Front side impact airbag passenger. Seat mounted side impact front passenger airbag

Overhead airbags ..... Safety Canopy System curtain first-row overhead airbags

### Seatbelts

Height adjustable seatbelts ..... Front height adjustable seatbelts

### Security System

Immobilizer ..... SecuriLock immobilizer

Remote panic alarm ..... Remote panic alarm

### Cameras

\* **Rear camera** ..... **Rear mounted camera**

### Traction Control

Electronic stability control ..... AdvanceTrac w/Roll Stability Control electronic stability control system with anti-roll

Prices and content availability as shown are subject to change and should be treated as estimates only. Actual base vehicle, package and option pricing may vary from this estimate because of special local pricing, availability or pricing adjustments not reflected in the dealer's computer system. See salesperson for the most current information.





Prepared by: Travis Romano  
12/28/2023

G. Stone Motors, Inc. | Route 7 South Middlebury Vermont | 05753

---

## 2024 F-600 Chassis 4x4 SD Regular Cab 169" WB DRW XL (F6L)

Price Level: 420

---

# Warranty

### Standard Warranty

#### *Basic Warranty*

Basic warranty ..... 36 months/36,000 miles

#### *Powertrain Warranty*

Powertrain warranty ..... 60 months/60,000 miles

#### *Corrosion Perforation*

Corrosion perforation warranty ..... 60 months/unlimited

#### *Roadside Assistance Warranty*

Roadside warranty ..... 60 months/60,000 miles

### Additional Warranty

#### *Diesel Engine Warranty*

Diesel engine warranty ..... 60 months/100,000 miles

---

Prices and content availability as shown are subject to change and should be treated as estimates only. Actual base vehicle, package and option pricing may vary from this estimate because of special local pricing, availability or pricing adjustments not reflected in the dealer's computer system. See salesperson for the most current information.



Prepared by: Travis Romano  
12/28/2023

G. Stone Motors, Inc. | Route 7 South Middlebury Vermont | 05753

2024 F-600 Chassis 4x4 SD Regular Cab 169" WB DRW XL (F6L)

Price Level: 420

As Configured Vehicle

Code	Description	MSRP
<b>Base Vehicle</b>		
F6L	Base Vehicle Price (F6L)	\$60,585.00
<b>Packages</b>		
680A	Order Code 680A <i>Includes:</i> - Transmission: TorqShift 10-Speed Automatic 10R140 with neutral idle. Includes SelectShift and selectable drive modes: normal, tow/haul, eco, slippery roads and off-road. - GVWR: 22,000 lbs Payload Package - Wheels: 19.5" x 6.75" Argent Painted Steel - HD Vinyl 40/20/40 Split Bench Seat Includes center armrest, cupholder, storage, 2-way adjustable driver/passenger headrests and driver's side manual lumbar. - Radio: AM/FM Stereo w/MP3 Player Includes 4 speakers. - SYNC 4 Communications & Entertainment System Includes enhanced voice recognition, 911 Assist, 8" LCD center stack screen, AppLink, 1 smart-charging USB port and trailer brake controller.	N/C
<b>Powertrain</b>		
99T	Engine: 6.7L 4V OHV Power Stroke V8 Turbo Diesel B20 <i>Includes Operator Commanded Regeneration (OCR), Diesel Exhaust Fluid (DEF) tank, intelligent oil-life monitor and manual push-button engine-exhaust braking.</i> <i>Includes:</i> - Dual 68 AH/65 AGM Battery - Limited Slip w/4.30 Axle Ratio	\$9,995.00
44G	Transmission: TorqShift 10-Speed Automatic <i>10R140 with neutral idle. Includes SelectShift and selectable drive modes: normal, tow/haul, eco, slippery roads and off-road.</i>	Included
STDGV	GVWR: 22,000 lbs Payload Package	Included
<b>Wheels &amp; Tires</b>		
TGT	Tires: 245/70Rx19.5 BSW Traction (6) <i>Spare may not be the same as road tire.</i>	\$215.00
64B	Wheels: 19.5" x 6.75" Argent Painted Steel	Included

Seats & Seat Trim

Prices and content availability as shown are subject to change and should be treated as estimates only. Actual base vehicle, package and option pricing may vary from this estimate because of special local pricing, availability or pricing adjustments not reflected in the dealer's computer system. See salesperson for the most current information.



Prepared by: Travis Romano  
12/28/2023

G. Stone Motors, Inc. | Route 7 South Middlebury Vermont | 05753

2024 F-600 Chassis 4x4 SD Regular Cab 169" WB DRW XL (F6L)

Price Level: 420

As Configured Vehicle (cont'd)

Code	Description	MSRP
A	<p>HD Vinyl 40/20/40 Split Bench Seat</p> <p><i>Includes center armrest, cupholder, storage, 2-way adjustable driver/passenger headrests and driver's side manual lumbar.</i></p>	Included
<b>Other Options</b>		
PAINT	Monotone Paint Application	STD
169WB	169" Wheelbase	STD
STDRD	<p>Radio: AM/FM Stereo w/MP3 Player</p> <p><i>Includes 4 speakers.</i></p> <p><i>Includes:</i>            - SYNC 4 Communications &amp; Entertainment System            Includes enhanced voice recognition, 911 Assist, 8" LCD center stack screen, AppLink, 1 smart-charging USB port and trailer brake controller.</p>	Included
96V	<p>XL Chrome Package</p> <p><i>Includes:</i>            - Chrome Front Bumper            - Bright Grille            - Remote Start            - Halogen Fog Lamps</p>	\$225.00
473	<p>Snow Plow Prep Package</p> <p><i>Includes pre-selected springs (see order guide supplemental reference for springs/FGAWR of specific vehicle configurations). Note 1: Restrictions apply; see supplemental reference or body builders layout book for details. Note 2: Also allows for the attachment of a winch. Note 3: Highly recommended to add (86M) dual battery on 7.3L gas engine. Adding (67B) 410 amp dual alternators for diesel engine is highly recommended for max power output.</i></p>	\$250.00
41H	Engine Block Heater	\$100.00
41P	Transfer Case Skid Plates	\$100.00
60X	<p>Automated Emergency Braking (AEB) Removal</p> <p><i>Removes Pre-Collision Assist with Automated Emergency Braking (AEB) and forward collision warning, auto high beams, post impact braking and audible lane departure warning.</i></p>	N/C
86M	Dual 68 AH/65 AGM Battery	Included
67B	<p>410 Amp Dual Alternators</p> <p><i>Includes 250 Amp + 160 Amp.</i></p>	Included
18B	Platform Running Boards	\$320.00
153	<p>Front License Plate Bracket</p> <p>Standard in states requiring 2 license plates and optional to all others.</p>	N/C
872	Rear View Camera & Prep Kit	\$415.00

Prices and content availability as shown are subject to change and should be treated as estimates only. Actual base vehicle, package and option pricing may vary from this estimate because of special local pricing, availability or pricing adjustments not reflected in the dealer's computer system. See salesperson for the most current information.



Prepared by: Travis Romano  
12/28/2023

G. Stone Motors, Inc. | Route 7 South Middlebury Vermont | 05753

2024 F-600 Chassis 4x4 SD Regular Cab 169" WB DRW XL (F6L)

Price Level: 420

As Configured Vehicle (cont'd)

Code	Description	MSRP
	<i>Pre-installed content includes cab wiring and frame wiring to the rear most cross member. Upfitters kit includes camera with mounting bracket, 20' jumper wire and camera mounting/aiming instructions.</i>	
41A	Rapid-Heat Supplemental Cab Heater  <i>Includes: - 410 Amp Dual Alternators Includes 250 Amp + 160 Amp.</i>	\$250.00
43C	110V/400W Outlet  <i>Includes 1 in-dash mounted outlet.  Includes: - Dual 68 AH/65 AGM Battery</i>	\$175.00

Fleet Options

FLADCR	Fleet Advertising Credit	\$0.00
WARANT	Fleet Customer Powertrain Limited Warranty  Requires valid FIN code.  <i>Ford is increasing the 5-year 60,000-mile limited powertrain warranty to 5-years, 100,000 miles. Only Fleet purchasers with a valid Fleet Identification Number (FIN code) will receive the extended warranty. When the sale is entered into the sales reporting system with a sales type fleet along with a valid FIN code, the warranty extension will automatically be added to the vehicle. The extension will stay with the vehicle even if it is subsequently sold to a non-fleet customer before the expiration. This extension applies to both gas and diesel powertrains. Dealers can check for the warranty extension on eligible fleet vehicles in OASIS. Please refer to the Warranty and Policy Manual section 3.13.00 Gas Engine Commercial Warranty. This change will also be reflected in the printed Warranty Guided distributed with the purchase of every new vehicle.</i>	N/C

Emissions

425	50-State Emissions System	STD
-----	---------------------------	-----

Exterior Color

HX_02	Antimatter Blue Metallic	N/C
-------	--------------------------	-----

Interior Color

AS_03	Medium Dark Slate w/HD Vinyl 40/20/40 Split Bench Seat	N/C
-------	---	-----

SUBTOTAL		\$72,630.00
Destination Charge		\$1,995.00
TOTAL		\$74,625.00

Prices and content availability as shown are subject to change and should be treated as estimates only. Actual base vehicle, package and option pricing may vary from this estimate because of special local pricing, availability or pricing adjustments not reflected in the dealer's computer system. See salesperson for the most current information.



Prepared by: Travis Romano  
12/28/2023

G. Stone Motors, Inc. | Route 7 South Middlebury Vermont | 05753

2024 F-600 Chassis 4x4 SD Regular Cab 169" WB DRW XL (F6L)

Price Level: 420

## Pricing Summary - Single Vehicle

	<b>MSRP</b>
<i>Vehicle Pricing</i>	
Base Vehicle Price	\$60,585.00
Options	\$12,045.00
Colors	\$0.00
Upfitting	\$0.00
Fleet Discount	\$0.00
Fuel Charge	\$0.00
Destination Charge	\$1,995.00
<b>Total</b>	<b>\$74,625.00</b>

\_\_\_\_\_  
Customer Signature

\_\_\_\_\_  
Acceptance Date

Prices and content availability as shown are subject to change and should be treated as estimates only. Actual base vehicle, package and option pricing may vary from this estimate because of special local pricing, availability or pricing adjustments not reflected in the dealer's computer system. See salesperson for the most current information.



Prepared by: Travis Romano  
12/28/2023

G. Stone Motors, Inc. | Route 7 South Middlebury Vermont | 05753

## 2024 F-600 Chassis 4x4 SD Regular Cab 169" WB DRW XL (F6L)

Price Level: 420

### Major Equipment

(Based on selected options, shown at right)

10-speed automatic

- \* Running boards
- \* Front tires LT load rating: G
- \* Overdrive transmission
- \* Transmission electronic control
- \* Alternator Amps: 250A
- \* Driveline managed traction control
- \* Dual lead acid battery
- \* Engine block heater
- \* Engine retarder system
- \* 8 inch primary LCD display
- \* Wireless audio streaming
- \* Seek scan
- \* Vehicle body length: 254.8"
- \* Cab to axle: 84.0"
- \* Axle capacity rear: 15,500 lbs.
- \* Axle capacity front: 7,500 lbs.
- \* Firm ride suspension
- \* Power door mirrors
- \* Manual folding door mirrors
- \* Daytime running lights

Exterior: Antimatter Blue Metallic  
Interior: Medium Dark Slate w/HD Vinyl  
40/20/40 Split Bench Seat

- \* 19.5 x 6.75-inch front and dual rear argent steel wheels
- \* LT245/70RS19.5 AT BSW front and rear tires
- \* Lock-up transmission
- \* PTO transmission provision
- \* Stainless steel single exhaust
- \* Battery rating: 750CCA
- \* Battery run down protection
- \* Auxiliary power take-off
- \* Fuel tank capacity: 40.00 gal.
- \* Steering wheel mounted audio controls
- \* AM/FM stereo radio
- \* SYNC 4 external memory control
- \* Wheelbase: 169.0"
- \* Axle to end of frame: 47.2"
- \* Tire/wheel capacity rear: 17,200 lbs.
- \* Spring rating front: 7,500 lbs.
- \* Trip computer
- \* Heated driver and passenger side door mirrors
- \* DRL preference setting
- \* Light tinted windows

### As Configured Vehicle

MSRP

STANDARD VEHICLE PRICE .....	\$60,585.00
Order Code 680A .....	N/C
Transmission: TorqShift 10-Speed Automatic .....	Included
GVWR: 22,000 lbs Payload Package .....	Included
Wheels: 19.5" x 6.75" Argent Painted Steel .....	Included
HD Vinyl 40/20/40 Split Bench Seat .....	Included
Monotone Paint Application .....	STD
169" Wheelbase .....	STD
Radio: AM/FM Stereo w/MP3 Player .....	Included
Fleet Customer Powertrain Limited Warranty .....	N/C
50-State Emissions System .....	STD
SYNC 4 Communications & Entertainment System ..	Included
Antimatter Blue Metallic .....	N/C
Medium Dark Slate w/HD Vinyl 40/20/40 Split Bench Seat	N/C
Engine: 6.7L 4V OHV Power Stroke V8 Turbo Diesel B20 .....	\$9,995.00
Dual 68 AH/65 AGM Battery .....	Included
Limited Slip w/4.30 Axle Ratio .....	Included
Tires: 245/70Rx19.5 BSW Traction (6) .....	\$215.00

Prices and content availability as shown are subject to change and should be treated as estimates only. Actual base vehicle, package and option pricing may vary from this estimate because of special local pricing, availability or pricing adjustments not reflected in the dealer's computer system. See salesperson for the most current information.



Prepared by: Travis Romano  
12/28/2023

G. Stone Motors, Inc. | Route 7 South Middlebury Vermont | 05753

## 2024 F-600 Chassis 4x4 SD Regular Cab 169" WB DRW XL (F6L)

Price Level: 420

### Major Equipment

- \* Variable intermittent front windshield wipers
- \* Driver front impact airbag
- \* Cancellable front passenger air bag
- \* 6 airbags
- \* Manual climate control
- \* Split-bench front seat
- \* Front passenger seat with 4-way directional controls
- \* Manual front seat head restraint control
- \* Front seat armrest storage
- \* Manual driver seat fore/aft control
- \* Manual passenger seat fore/aft control
- \* Vinyl front seatback upholstery
- \* 4-wheel disc brakes
- \* Brake assist system
- \* AdvanceTrac w/Roll Stability Control electronic stability control system with anti-roll
- \* Seat mounted side impact driver airbag
- \* Seat mounted side impact front passenger airbag
- \* SecuriLock immobilizer
- \* 40-20-40 split-bench front seat
- \* Driver seat with 4-way directional controls
- \* Height adjustable front seat head restraints
- \* Front seat center armrest
- \* Manual reclining driver seat
- \* Manual reclining passenger seat
- \* Vinyl front seat upholstery
- \* Manual driver seat lumbar
- \* 4-wheel antilock (ABS) brakes
- \* Hill Start Assist

### Fuel Economy

**City**  
N/A



**Hwy**  
N/A

### As Configured Vehicle

	MSRP
XL Chrome Package .....	\$225.00
Chrome Front Bumper .....	Included
Bright Grille .....	Included
Remote Start .....	Included
Halogen Fog Lamps .....	Included
Snow Plow Prep Package .....	\$250.00
Engine Block Heater .....	\$100.00
Transfer Case Skid Plates .....	\$100.00
Automated Emergency Braking (AEB) Removal .....	N/C
410 Amp Dual Alternators .....	Included
Platform Running Boards .....	\$320.00
Front License Plate Bracket .....	N/C
Rear View Camera & Prep Kit .....	\$415.00
Rapid-Heat Supplemental Cab Heater .....	\$250.00
Fleet Advertising Credit .....	\$0.00
110V/400W Outlet .....	\$175.00
<hr/>	
SUBTOTAL .....	\$72,630.00
Destination Charge .....	\$1,995.00

Prices and content availability as shown are subject to change and should be treated as estimates only. Actual base vehicle, package and option pricing may vary from this estimate because of special local pricing, availability or pricing adjustments not reflected in the dealer's computer system. See salesperson for the most current information.



Prepared by: Travis Romano  
12/28/2023

G. Stone Motors, Inc. | Route 7 South Middlebury Vermont | 05753

---

2024 F-600 Chassis 4x4 SD Regular Cab 169" WB DRW XL (F6L)

Price Level: 420

---

<i>As Configured Vehicle</i>	MSRP
<b>TOTAL .....</b>	<b>\$74,625.00</b>

---

Prices and content availability as shown are subject to change and should be treated as estimates only. Actual base vehicle, package and option pricing may vary from this estimate because of special local pricing, availability or pricing adjustments not reflected in the dealer's computer system. See salesperson for the most current information.





Prepared by: Travis Romano  
12/28/2023

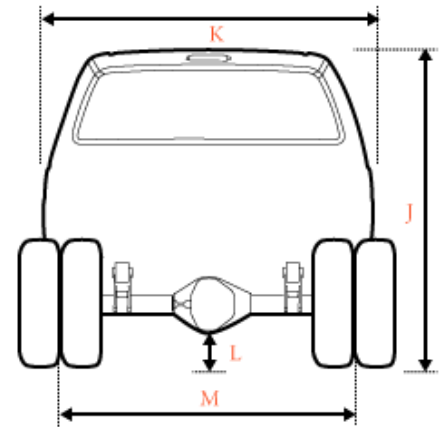
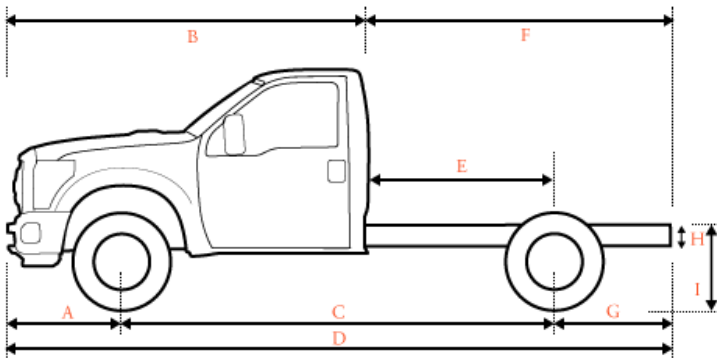
G. Stone Motors, Inc. | Route 7 South Middlebury Vermont | 05753

## 2024 F-600 Chassis 4x4 SD Regular Cab 169" WB DRW XL (F6L)

Price Level: 420

### Vehicle Dimension and Performance Summary

Performance predictions in this report represent an estimate of vehicle performance based on standard operating conditions. Variations in customer equipment, load configuration, ambient conditions, and/or operator driving techniques can cause significant variations in vehicle performance. These values are not representative of results that may be shown in actual dynamometer tests. This report should therefore be used as a guide for comparative vehicle performance.



#### Dimensions

A	Front of Bumper to Front Axle	38.30 in.
B	Front Bumper to Back of Cab (BBC)	123.70 in.
C	Wheelbase (WB)	169.00 in.
D	Overall Length (OAL)	254.80 in.
E	Back of Cab to Rear Axle (CA)	84.00 in.
F	Back of Cab to End of Frame	131.20 in.
G	Rear Axle to End of Frame (AF)	47.20 in.
H	Frame Section Height	N/A
I	Rear Frame Height Unloaded	34.50 in.
I	Rear Frame Height Loaded	28.60 in.
J	Cab Height	N/A
K	Body Width	80.00 in.
L	Maximum Ground Clearance	N/A
L	Minimum Ground Clearance	N/A
M	Front Tread	74.80 in.
M	Rear Tread	74.00 in.

Prices and content availability as shown are subject to change and should be treated as estimates only. Actual base vehicle, package and option pricing may vary from this estimate because of special local pricing, availability or pricing adjustments not reflected in the dealer's computer system. See salesperson for the most current information.



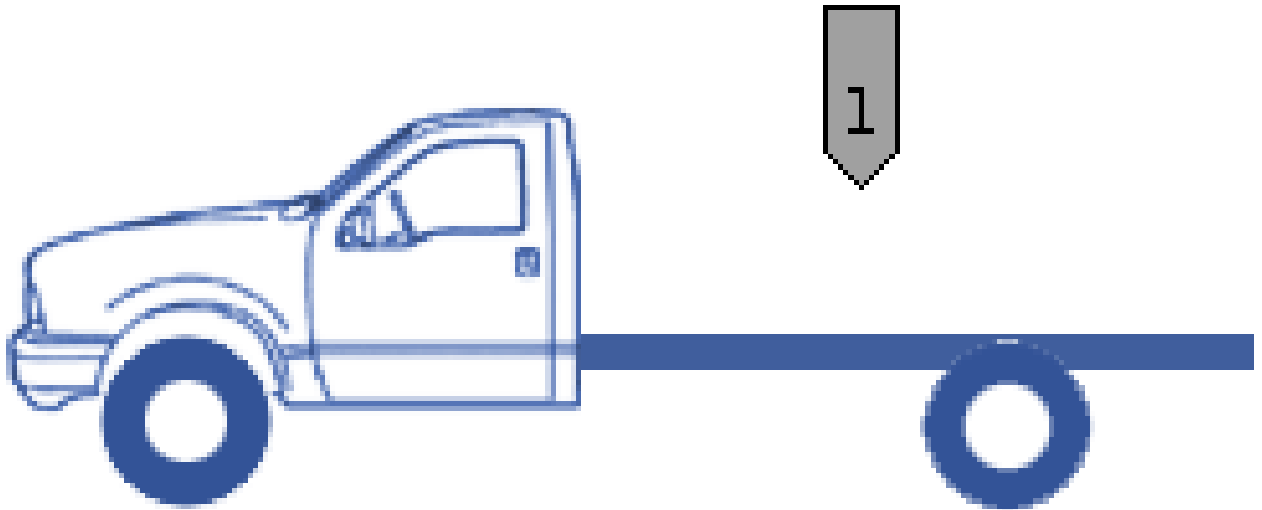
Prepared by: Travis Romano  
12/28/2023

G. Stone Motors, Inc. | Route 7 South Middlebury Vermont | 05753

2024 F-600 Chassis 4x4 SD Regular Cab 169" WB DRW XL (F6L)

Price Level: 420

Vehicle Dimension and Performance Summary (cont'd)



Weight

GVW	Front Axle	Rear Axle	Totals
Chassis .....	4,802 lbs	3,242 lbs	8,044 lbs
Body .....	0 lbs	0 lbs	0 lbs
Occupants Weight .....	300 lbs	150 lbs	450 lbs
1 Max Payload - (Max Payload) .....	2,398 lbs	11,108 lbs	13,506 lbs
<b>TOTAL</b> .....	<b>7,500 lbs</b>	<b>14,500 lbs</b>	<b>22,000 lbs</b>

Ratings	Front Axle	Rear Axle	GVWR
<b>GAWR</b> .....	<b>7,500 lbs</b>	<b>15,500 lbs</b>	<b>22,000 lbs</b>
Wheels/Tires .....	9,080 lbs	17,200 lbs	
Suspension .....	7,500 lbs	15,500 lbs	
Axle .....	7,500 lbs	15,500 lbs	
Legal Axle Limit .....	0 lbs	0 lbs	

Prices and content availability as shown are subject to change and should be treated as estimates only. Actual base vehicle, package and option pricing may vary from this estimate because of special local pricing, availability or pricing adjustments not reflected in the dealer's computer system. See salesperson for the most current information.



Prepared by: Travis Romano  
12/28/2023

G. Stone Motors, Inc. | Route 7 South Middlebury Vermont | 05753

2024 F-600 Chassis 4x4 SD Regular Cab 169" WB DRW XL (F6L)

Price Level: 420

## Vehicle Dimension and Performance Summary (cont'd)

### Start, Grade and Speed

Start	Ratio	Desired	Calculated
Start grade capability in 1st gear	4.62	15.00 %	48.20 %
Start grade capability in reverse	4.70	15.00 %	49.03 %
Grade	Ratio	Desired	Calculated
Maximum grade in 8th gear	0.85	3.00 %	9.02 %
Maximum grade in 9th gear	0.69	3.00 %	7.28 %
Maximum grade in 10th gear	0.63	3.00 %	6.70 %
Speed		Desired	Calculated
Top Speed (level grade)		75 mph	95 mph
<i>To meet your requirement you need a maximum axle ratio of 5.47</i>			
Top Speed on 3% grade		55 mph	
<i>To meet your requirement you need a maximum of 95 hp</i>			
Cruise Speed		60 mph	83 mph
Engine RPM at desired cruise speed			1,660 rpm

### Variables in Use

#### Start

Rear axle ratio:	4.30	Clutch engagement torque:	475 ft.lbs.
Tire size:	245/70R19.5 (611 rev/mile)	Torque conversion ratio:	1.97
Gross Vehicle Weight (GVW):	22,000 lbs		

#### Grade

Rear axle ratio:	4.30	Gross Vehicle Weight (GVW):	22,000 lbs
Tire size:	245/70R19.5 (611 rev/mile)	Peak engine torque:	950 ft.lbs.

#### Speed

Engine Power:	330 hp @ 2,200 rpm	Worst road surface:	Typical Highway
Governed RPM:	2,640 rpm	Final Drive Ratio:	0.63
Frontal Area:	-5.00 Sq.Ft.	Drag Coefficient:	0.80
Cruising RPM:	2,300 rpm		

Prices and content availability as shown are subject to change and should be treated as estimates only. Actual base vehicle, package and option pricing may vary from this estimate because of special local pricing, availability or pricing adjustments not reflected in the dealer's computer system. See salesperson for the most current information.



Prepared by: Travis Romano  
12/28/2023

G. Stone Motors, Inc. | Route 7 South Middlebury Vermont | 05753

2024 F-600 Chassis 4x4 SD Regular Cab 169" WB DRW XL (F6L)

Price Level: 420

## Vehicle Dimension and Performance Summary (cont'd)

### Turning Radius

Turning Radius ..... 24.25 ft

